

NOTICE TO SUBCONTRACTORS :

DUE TO SPACE LIMITATIONS IN THIS 11"X 17" PLAN FORMAT, AND TO ELIMINATE CLUTTER AND TEXT READABILITY ISSUES, SOME DETAILS AND NOTATIONS MAY OR MAY NOT BE LOCATED ON THE SAME SHEETS OR IN THE SAME LOCATIONS AS PROVIDED FOR BY OTHER CONTRACTORS OR ARCHITECTS. IT WOULD BE IN YOUR BEST INTEREST TO REVIEW THESE PLANS AND LOCATE THE APPROPRIATE INFORMATION REQUIRED TO COMPLETE YOUR SPECIFIC PORTION OF THE JOB BEFORE BEGINNING CONSTRUCTION.

NOTICE TO BUILDER

IT IS THE INTENT OF THIS DESIGNER THAT THESE PLANS ARE ACCURATE AND ARE CLEAR ENOUGH FOR THE LICENSED PROFESSIONAL TO CONSTRUCT THIS PROJECT. IN THE EVENT THAT SOMETHING IS UNCLEAR OR NEEDS CLARIFICATION, STOP, AND CALL THE DESIGNER LISTED IN THIS TITLE PAGE. IT IS THE RESPONSIBILITY OF THE LICENSED PROFESSIONAL THAT IS CONSTRUCTING THIS PROJECT TO FULLY REVIEW THESE DOCUMENTS BEFORE CONSTRUCTION BEGINS AND ANY AND ALL CORRECTIONS, IF NEEDED, TO BE MADE BEFORE ANY WORK IS DONE.

WINDOW INSTALLATION NOTES:

1. WINDOWS MUST BE FASTENED INTO STRUCTURAL MEMBERS PER MFG'S. DETAIL REQUIREMENTS PER DESIGN CRITERIA NOTED ON THESE DRAWINGS.
2. WINDOWS ARE NOT IMPACT RESISTANT TYPE. STORM SHUTTERS OR PANELS ARE REQUIRED.
3. ROOF, WALLS AND WINDOW FASTENINGS MUST BE ENGINEERED AND SPECIFIED FOR CUMULATIVE INTERNAL PRESSURE AND EXTERNAL NEGATIVE (SUCTION) PRESSURES WHICH VARIES ACCORDING TO AREAS AS NOTED IN THE DESIGN CRITERIA AS NOTED ON PAGE S4.

GENERAL NOTES:

THE FOLLOWING TECHNICAL CODES SHALL APPLY:
 2014 FLORIDA BUILDING CODE,
 PLUMBING, MECHANICAL, FUEL GAS,
 ENERGY EFFICIENCY, ACCESSIBILITY,
 AND NATIONAL ELECTRICAL CODES
 NEC 2011

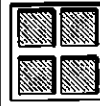
1. TANK TYPE WATER CLOSET VOLUME
1.6 GALLONS
2. WALL MOUNT WATER CLOSET VOLUME
3.5 GALLONS
3. WATER - FLOW RATE.
 PUBLIC FACILITIES 0.5 G.P.M.
 PRIVATE FACILITIES 2.2 G.P.M.
 SHOWER HEADS 2.5 G.P.M.

VTR LOCATIONS ARE APPROXIMATE AND MAY CHANGE DUE TO JOBSITE CONDITIONS

THE FOLLOWING SHALL COMPLY WITH THE 2014 FBC.

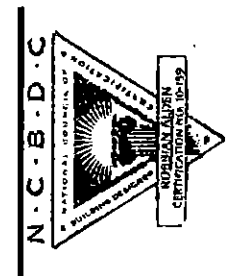
- PORCHES AND BALCONIES
 - HANDRAILS
 - GUARDRAILS
 - STAIRS
 - CHIMNEY & FIREPLACE
 - EGRESS WINDOWS
4. ALL OPENINGS SHALL COMPLY WITH 2014 FBC WIND LOADS AS STATED BELOW. ATTACHMENTS OF WINDOWS, DOORS, SLIDING GLASS DOORS AND O.H. GARAGE DOORS ARE DELEGATED THE MANUFACTURER OF THESE ITEMS. THE MANUFACTURER OF THESE ITEMS SHALL SUBMIT ATTACHMENTS TO ENGINEER OF RECORD FOR REVIEW PRIOR TO INSTALLATION. SEE ATTACHED SPECIFICATION SHEETS FOR MANUFACTURERS DESIGN CRITERIA AND INSTALLATION METHODS FOR WINDOWS, DOORS, SLIDING GLASS DOORS, OVERHEAD GARAGE DOORS, AND ROOFING.
 5. ALL DOORS INTERIOR & EXTERIOR ARE 8' 0" UNLESS OTHERWISE NOTED
 ALL SHOWER ENCLOSURES TO BE TEMPERED GLASS
 6. ALL WINDOWS WITHIN 24" OF DOORS (INTERIOR & EXTERIOR) AND WITHIN 18" OFF FLR TO BE TEMPERED GLASS.

SOFTPLAN
 ARCHITECTURAL DESIGN SOFTWARE



ROBBIAN DESIGN
 AL ROBBIAN A.I.B.D.
 6397 CONNEWOOD SQ.
 NEW PORT RICHEY, FL. 34653
 (727) 842-2259
 MAIL:al@robbiandesign.com

A I B I D
 7059 Blair Road NW
 Suite 201
 @ Washington DC 20012



ALLEN ENGINEERING AND CONSTRUCTION SERVICES, INC. (AECS) IS NOT RESPONSIBLE FOR THE ARCHITECTURAL DESIGN, ITS FEATURES AND ASSOCIATED DIMENSIONS. THE ARCHITECTURAL INFORMATION IS ACCEPTED AS BEING ACCURATE AND IS USED BY AECS SOLELY FOR THE PURPOSE OF DETERMINING STRENGTH, FIRE PROTECTION, AND FLOOD RESISTANCE CONSTRUCTION REQUIREMENTS.

INDEX OF DRAWINGS

SHEET	TITLE
S	COVER SHEET
S1	STRUCTURAL ENGINEER NOTES
S2	STRUCTURAL ENGINEER NOTES
S3	STRUCTURAL ENGINEER NOTES
S4	WIND LOAD DESIGN DATA
1	FOUNDATION PLAN
1A	FOUNDATION PLUMBING & EXPANSION
2	FLOOR PLAN NOTES
2A	FLOOR PLAN NOTES 2ND FLOOR
3	DIMENSION PLAN
3A	DIMENSION PLAN 2ND FLOOR
3B	PLAN DETAILS
4	EXTERIOR ELEVATIONS
4A	PORCH COLUMN DETAILS
4B	BUILDING SECTION
5	EXTERIOR ELEVATIONS
6	ROOF PLAN
6A	FLOOR & ROOF TRUSS PLAN
6B	SECOND FLOOR TRUSS PLAN
7	ELECTRICAL PLAN FIRST FLOOR
7A	ELECTRICAL PLAN SECOND FLOOR
8	CONSTRUCTION DETAILS
9	CONSTRUCTION DETAILS
10	TYPICAL WALL SECTIONS
11	TYPICAL FOOTING DETAILS

COVER SHEET-BUILDING ONE



DEEB FAMILY HOMES, LTD.
 9400 RIVER CROSSING BLD.
 NEW PORT RICHEY, FL. 34655
 727-376-6831

PLAN DATE
4-29-2016

INVENTORY PROJECT
 354 HAMILTON AVE.
 SAFETY HARBOR, FL.

THEY CERTIFY THAT I HAVE PERFORMED THE ATTACHED DESIGN TO COMPLY WITH THE APPLICABLE WIND LOADS AND IT IS IN COMPLIANCE WITH SECT. 301 OF THE 2014 FLORIDA RESIDENTIAL BUILDING CODE
 SEALED FOR PROFESSIONAL USE ONLY
 5/5/16
 RICHARD E. ALLEN P.E. 15430

A.E.C.S. 16038

PLAN 3292

ALLEN ENGINEERING & CONSTRUCTION SERVICES
 RICH ALLEN PROFESSIONAL ENGINEER
 P.E. # 46920 C.A. # 9542
 8809 SKYMASTER DR.
 NEW PORT RICHEY, FL. 34654
 727-842-6100
 richallenpe@gmail.com

STRUCTURAL ENGINEER DESIGN NOTES

ADMINISTRATIVE

1. THE ENGINEERING FIRM FOR THIS STRUCTURAL DESIGN IS ALLEN ENGINEERING AND CONSTRUCTION SERVICES, INC. HEREIN REFERRED TO AS "AECS OR "A.E.C.S".

2. THE ENGINEER FOR THIS STRUCTURAL DESIGN IS RICHARD E. ALLEN, PE. HEREIN REFERRED TO AS "STRUCTURAL ENGINEER".

3. THE STRUCTURAL ENGINEER DESIGN NOTES ARE PART OF THE STRUCTURAL DESIGN AND ARE TO BE TAKEN AS TYPICAL REQUIREMENTS UNLESS NOTED OTHERWISE, "UNO", IN THE STRUCTURAL PLANS AND STRUCTURAL DETAILS.

4. THE DESIGN SHOWN IN THESE PLANS CONFORM TO THE STRUCTURAL PROVISIONS OF THE CHAPTER 16 OF THE FLORIDA BUILDING CODE, SECTION R301 OF THE FLORIDA RESIDENTIAL BUILDING CODE 2014, THE SECTIONS TITLED "STRUCTURAL" OF THE FLORIDA EXISTING BUILDING CODE 2014.

5. THE PURPOSE OF THESE PLANS IS TO OBTAIN A BUILDING PERMIT AND FOR SUBSEQUENT CONSTRUCTION OF THE DESIGN AS SHOWN. THESE PLANS ARE TO BE CONSIDERED VOID IF WORK COMMENCES PRIOR TO A PERMIT BEING ISSUED, A CHANGE IN THE BUILDING CODE OCCURS PRIOR TO THE PLANS BEING SUBMITTED FOR PERMIT OR AFTER SIX MONTHS OF THE DATE THAT THESE PLANS ARE SIGNED AND SEALED WITHOUT BEING SUBMITTED FOR PERMITTING, WHICHEVER OCCURS FIRST. ONCE A BUILDING PERMIT HAS BEEN ISSUED BASED ON THESE PLANS, THE BUILDING DEPARTMENT IS NOT AUTHORIZED TO REISSUE OR TRANSFER BUILDING PERMITS WITHOUT THE EXPRESSED WRITTEN CONSENT OF THE STRUCTURAL ENGINEER.

6. CONSTRUCTION BASED ON THE STRUCTURAL DESIGN IS TO BE DONE AS SHOWN IN THE PLANS WITHOUT DEVIATION, CHANGE OR OMISSION WITHOUT PRIOR APPROVAL OF THE STRUCTURAL ENGINEER. IF ADDITIONAL DETAIL INFORMATION, OR EXPLANATION IS NEEDED, IT IS TO BE OBTAINED FROM THE STRUCTURAL ENGINEER. THE STRUCTURAL ENGINEER IS NOT RESPONSIBLE FOR ANY ADDITIONAL PARTS OF THESE PLANS, INCLUDING PROVISIONS AS STATED IN ITEM 4.

7. IT IS IMPORTANT TO UNDERSTAND THAT STRUCTURAL PROVISIONS OF THE BUILDING CODE ARE COMPLICATED AND THESE PLANS ARE INTENDED TO BE USED BY AN EXPERIENCED BUILDING CONTRACTOR. PROPERTY OWNERS OBTAINING OWNER-BUILDER PERMITS ARE PROCEEDING AT THEIR OWN RISK. THE STRUCTURAL ENGINEER IS NOT RESPONSIBLE FOR ANY ERRORS OR OMISSIONS BY PROPERTY OWNERS OR THEIR AGENTS AS A RESULT OF ANY MISUNDERSTANDING OF THE PLANS THE OTHERWISE WOULD BE UNDERSTOOD BY A LICENSED CONTRACTOR.

8. THE STRUCTURAL ENGINEER IS NOT RESPONSIBLE FOR CONSTRUCTION MEANS, METHODS, AND SCHEDULE.

9. THE STRUCTURAL PLANS AND ANY RELEVANT DESIGN DOCUMENTS PRODUCED UNDER THE DIRECT CHARGE OF THE STRUCTURAL ENGINEER ARE THE PROPERTY OF THE STRUCTURAL ENGINEER AND MAY NOT BE USED BY ANY PERSON OTHER THAN THE CONTRACTED CLIENT AND FOR ANY PURPOSE OTHER THAN THAT STATED IN ITEM 5 ABOVE WITHOUT THE EXPRESSED WRITTEN CONSENT OF THE STRUCTURAL ENGINEER. MOREOVER, NO OTHER ENGINEER OR ARCHITECT IS TO BE DESIGNATED A DELEGATED ENGINEER FOR ANY PURPOSE RELATED TO THESE STRUCTURAL PLANS OR CONSTRUCTION BASED ON THESE PLANS PRIOR TO THE ISSUANCE OF A CERTIFICATE OF COMPLETION OR OCCUPANCY WITHOUT THE EXPRESSED WRITTEN CONSENT OF THE STRUCTURAL ENGINEER.

DESIGN CRITERIA

10. LOAD COMBINATIONS : THIS DESIGN IS BASED ON AN "ALLOWABLE-STRESS" FORMULATION RELYING ON THE LOAD COMBINATIONS DEFINED IN FBC 2014 SECTION 1605.3.1 OR SECTION 1605.3.2 WHERE OMEGA EQUALS 1.3

11. FOUNDATION LOADS: SEE NOTES ON "SITE CONDITIONS, SOILS, AND FOUNDATIONS".

12. FLOOR LIVE LOADS:
RESIDENTIAL ONE AND TWO STORY FAMILY DWELLINGS:
ALL LIVE LOADS PER TABLE R301.5
UNINHABITABLE ATTICS WITHOUT STORAGE : 10 PSF
UNINHABITABLE ATTICS WITH STORAGE : 20 PSF
HABITABLE ATTICS AND SLEEPING AREAS: 30 PSF
BALCONIES: 60 PSF
DECKS: 40 PSF
ALL OTHER ROOMS 40 PSF
GUARDRAILS /HANDRAILS :200PSF CONCENTRATED LOAD APPLIED IN ANY DIRECTION.

13. INFORMATION CONTAINED ON A PLAN SHEET WHERE HIS SIGNATURE AND SEAL APPEAR, THAT DOES NOT PERTAIN TO THE RELEVANT STRUCTURAL PROVISIONS AS STATED IN ITEM 4, INCLUDING, BUT NOT LIMITED TO THE BUILDING OCCUPANCY, THE ARCHITECTURAL DESIGN, ITS FEATURES, FINISHES (I.E., DECORATIVE STUCCO, SIDING, ROOFING, SOFFITS, FLASHING, PAINTING, ETC.) AND THEIR INSTALLATION, DIMENSIONS, AND ANY DESIGN OF FIRE PROTECTION, ELECTRICAL, PLUMBING, AND MECHANICAL COMPONENTS OR SYSTEMS. THE ARCHITECTURAL INFORMATION, INCLUDING DIMENSIONS SHOWN IN THESE PLANS AND PROVIDED TO THE ENGINEER.

17. N/A

18. SITE CONDITIONS

19. SITE PLAN AND TOPOGRAPHY

A. THE STRUCTURAL ENGINEER IS NOT A SURVEYOR AND IS NOT RESPONSIBLE FOR THE SITE PLAN, ESTABLISHING REQUIRED SET-BACKS, AND LOCATING THE BUILDING ON THE PROPERTY.

B. THE STRUCTURAL ENGINEER IS NOT RESPONSIBLE FOR THE GRADING OF THE SITE OR ITS COMPLIANCE WITH ANY DRAINAGE PLAN WHETHER INDIVIDUAL OR AS A PART OF A MASTER DRAINAGE PLAN.

C. THE FOUNDATION DESIGN IS BASED ON THESE PRESUMED CONDITIONS INCLUDING THAT DIFFERENTIAL SETTLING DOES NOT EXCEED THE SAFE LIMITS OF THE FOUNDATION DESIGN (INCLUDING STEM WALLS AND MASONRY ABOVE GRADE WALLS) AS STATED IN ITEM 19 BELOW.

D. IT IS IMPORTANT TO KNOW THAT THE FOUNDATION DESIGN BASED ON A PRESUMED ALLOWABLE SOIL BEARING CAPACITY OF 2,000 PSF RELIES ON LESS THAN L/500 (E.G., 0.25 INCHES OVER 10 FEET) OF DIFFERENTIAL SETTLEMENT. CRACKS IN MASONRY WALLS SHOULD BE EXPECTED WHERE DIFFERENTIAL SETTLEMENT EXCEEDS L/150. THIS STATEMENT SHOULD BE TAKEN AS A CAUTIONARY NOTE FOR PROCEEDING WITHOUT A SOILS ANALYSIS AND FOUNDATION RECOMMENDATION BY A GEOTECHNICAL ENGINEER FOR THE SITE.

E. COPIES OF ANY AND ALL REQUIRED COMPACTION TESTS ARE TO BE PROVIDED TO THE BUILDING DEPARTMENT FOR THEIR RECORDS.

STRUCTURAL ELEMENTS

19. FOUNDATION, FOOTING AND GROUND FLOOR SLAB

A. THE FOUNDATION AND FOOTINGS ARE TO BEAR A MINIMUM ON 12 INCHES BELOW GRADE AND ARE TO BE PLACED ON UNDISTURBED SOIL OR FILL COMPACTED TO A MINIMUM OF 95% MODIFIED PROCTOR PURSUANT TO ASTM D 1557 WITH FILL LIFTS LESS THAN 12".

COMMERCIAL

ALL LIVE LOADS PER FBC 2014 TABLE 1607.1

14. ROOF LIVE LOADS :
ALL ROOF / WOOD CONSTRUCTION TYPES ARE 30 PSF.

15. DEAD LOADS :
FLOOR WOOD FRAME : 35 PSF FOR TILE/MARBLE FLOOR COVERING, 15 PSF FOR ALL OTHERS.
ROOF WOOD FRAME : 25 PSF FOR SHINGLES, 35 PSF FOR TILE

16. WIND LOADS:
A. WIND LOADS ARE BASED ON THE SPECIFIC REQUIREMENTS AND DEFINITIONS OF FLORIDA RESIDENTIAL BUILDING CODE 2014 EDITION ASCE-7-10.
B. THE COMPONENT AND CLADDING WIND PRESSURES ARE THE MINIMUM REQUIREMENTS FOR STRENGTH AND IMPACT PROTECTION NEEDED FOR SELECTING SATISFACTORY COMPONENTS AND CLADDING, BY OTHERS, FOR THE STRUCTURE.

ENGINEERING BY OTHERS IS PRESUMED ACCURATE AND IS RELIED UPON BY THE STRUCTURAL ENGINEER SOLELY FOR THE PURPOSE OF ACHIEVING COMPLIANCE WITH THE RELEVANT STRUCTURE

20. MIX DESIGNS FOR ALL CONCRETE USED IN THE CONSTRUCTION OF SLAB - ON - GRADE FLOORS SHALL SPECIFY A MINIMUM DESIGN STRENGTH OF 3,000 PSI (20.7 MPa) AT 28 DAYS AND A DESIGN SLUMP NOT TO EXCEED 4 INCHES (102 mm). ON-SITE SLUMPS SHALL NOT EXCEED 5 INCHES (127mm). PROVIDE TOTAL WATER ADDED TO THE MIX INCLUDING PLANT, TRANSIT AND SITE ADDED WATER DOES NOT EXCEED THE FOLLOWING PARAMETERS :

1. FOR MIXES USING NATURAL SANDS: 275 POUNDS PER CUBIC YARD (33 GALLONS - 125L)

2. FOR MIXES USING MANUFACTURED SANDS : 292 POUNDS PER CUBIC YARD (35 GALLONS - 132L)

A. IN ADDITION, THE STRUCTURAL ENGINEER IS NOT A CIVIL OR GEOTECHNICAL ENGINEER AND IS NOT RESPONSIBLE FOR DETERMINING THE SUITABILITY OF THE SITE FOR CONSTRUCTION, INCLUDING ITS TOPOGRAPHY, DRAINAGE AND SUB-SURFACE CONDITIONS (INCLUDING WATER TABLE DEPTH) AND FOR INTERPRETING GEOTECHNICAL DATA CONCERNING THE SITE.

B. IF SOIL CONDITIONS AT THE SITE APPEAR QUESTIONABLE AS DETERMINED BY THE BUILDING CONTRACTOR OR OWNER-BUILDER, A SOILS ANALYSIS SHALL BE PERFORMED BY A LICENSED GEOTECHNICAL ENGINEER THAT WILL GIVE SPECIFIC RECOMMENDATIONS FOR A FOUNDATION TYPE. IF THE BUILDING CONTRACTOR OR OWNER-BUILDER DO NOT MAKE THAT DETERMINATION AND A SOILS ANALYSIS IS NOT PERFORMED, THE STRUCTURAL ENGINEER SHALL PROCEED WITH THE DESIGN BASED ON THE PRESUMPTIONS ALLOWED BY THE FBC 2012, SEC. 1804.

C. THE DETERMINATIONS OF THE SUITABILITY OF THE SITE FOR CONSTRUCTION (INCLUDING TOPOGRAPHICAL INFORMATION) AND THE SOIL CONDITIONS SHALL HAVE BEEN COMPLETED AND ANY RECOMMENDATIONS RESULTING FROM THAT ANALYSIS SHALL HAVE BEEN PROVIDED TO THE STRUCTURAL ENGINEER PRIOR TO THE SIGNING AND SEALING OF THE STRUCTURAL PLANS.

D. IN THE ABSENCE OF GEOTECHNICAL INFORMATION, THE SITE IS PRESUMED TO HAVE AN ALLOWABLE SOIL BEARING CAPACITY OF 2000 PSF AND THE TOPOGRAPHY AS IT RELATES TO THE STRUCTURE IS PRESUMED TO BE THAT SHOWN IN THE PLANS.

E. THE SIZE AND REQUIRED REINFORCEMENT FOR THE FOOTINGS ARE SHOWN ON THE FOUNDATION PLAN.
THE GROUND FLOOR SLAB SHALL BE PLACED OVER A 6 MIL. POLYETHYLENE MOISTURE RETARDER.

I. THE TRUSS SYSTEM DESIGN PROVIDED IN THIS PLAN IS FOR THE USE OF THE TRUSS MANUFACTURER IN DEVELOPING THE ACTUAL ROOF TRUSS SYSTEM DESIGN. IT IS NOT TO BE USED FOR ANY OTHER PURPOSE AS IT IS SUBJECT TO ENGINEERING AND MAY BE DIFFERENT FROM THE FINAL DESIGN.

II. MANUFACTURED FLOOR TRUSSES SHALL BE DESIGNED BY A LICENSED TRUSS COMPONENT AND TRUSS SYSTEM ENGINEER ACTING AS A DELEGATED ENGINEER AND WORKING THROUGH A TRUSS MANUFACTURER FOR THIS PURPOSE. THE SELECTION OF THE TRUSS MANUFACTURER IS HEREBY SUBORDINATED TO THE BUILDING CONTRACTOR.

III. THE MANUFACTURED TRUSS DESIGN SHALL INCLUDE SPECIFYING THE TRUSS TO TRUSS AND TRUSS TO GIRDER CONNECTIONS ON EITHER THE INDIVIDUAL TRUSS COMPONENT SHEETS OR THE GIRDER TRUSS COMPONENTS SHEETS AS APPLICABLE. A SPECIFIC HANGER MUST BE SELECTED AND IDENTIFIED ON THE SIGNED AND SEALED COMPONENT SHEETS FOR EACH LOCATION THAT A HANGER IS REQUIRED IN THE TRUSS SYSTEM.

IV. THE TRUSS PLAN SIGNED AND SEALED BY THE DELEGATED ENGINEER SHALL BE PROVIDED TO AND REVIEWED BY THE STRUCTURAL ENGINEER FOR COMPLYING WITH THE DESIGN INTENT OF THE ORIGINAL PLAN AND FOR ANY CHANGES TO THE "TRUSS TO UNDERLYING STRUCTURE" CONNECTIONS. THIS PLAN MUST BE PROVIDED TO THE STRUCTURAL ENGINEER PRIOR TO CONSTRUCTION ON THE UNDERLYING STRUCTURE AS THE STRUCTURAL ENGINEER RESERVES THE RIGHT TO MAKE STRUCTURAL CHANGES BASED UPON THE FINAL FLOOR TRUSS SYSTEM.

F. CONVENTIONAL FRAMED JOISTS WITH A MINIMUM 6 INCH OVERLAP OF JOINTS.

G. TERMITE TREATMENT OF THE SITE SHALL BE SPECIFIED BY THE BUILDING CONTRACTOR OR OWNER-BUILDER.

H. SHRINKAGE CONTROL OF THE FLOOR SLAB SHALL BE ACCOMPLISHED BY 6 INCH BY 6 INCH . W 1.4 BY 1.4 WELDED WIRE FABRIC AS SPECIFIED BY FBC 2014 SECTION 1910.2 EXCEPTION 2 OR FIBERMESH ADMIXTURE AS SPECIFIED BY FBC 2010, SECTION 1910.2 EXCEPTION 1. THE WELDED WIRE FABRIC SHALL BE PLACED BETWEEN THE MIDDLE AND UPPER 1/3 DEPTH OF THE SLAB AND HELD IN POSITION BY APPROPRIATE SUPPORTS SPACED NOT GREATER THAN 3 FEET APART.

I. CONTRACTION JOINTS ARE TO BE PROVIDED FOR THE PURPOSE OF CONTROLLING SHRINKAGE ONE INCH DEEP CUTS (FOR A FOUR INCH THICK SLAB OR 25 PERCENT OF THE SLAB THICKNESS OTHERWISE) ARE TO BE PROVIDED ACROSS THE WIDTH AND LENGTH OF ANY FLOOR SLAB AT A DISTANCE OF NOT TO EXCEED 30 TIMES THE SLAB THICKNESS. FOR EXAMPLE A FOUR INCH THICK SLAB, CONTRACTION JOINTS SHALL NOT EXCEED 10 FEET ON CENTER EACH WAY. THE CONTRACTION JOINTS ARE OPTIONAL FOR ONE AND TWO STORY FAMILY RESIDENTIAL WHEN WELDED WIRE FABRIC OR FIBERMESH ARE USED IN THE FLOOR SLAB.

PLAN 3292

A.E.C.S. 16038

THESEY CERTIFY THAT I HAVE PERFORMED THE ATTACHED DESIGN TO COMPLY WITH ALL APPLICABLE UNIFORM AND LOCAL ORDINANCES WITH SECT. 301 OF THE 2014 FLORIDA RESIDENTIAL BUILDING CODE SEALED FOR CONSTRUCTION ONLY

SIGNED: *[Signature]* 5/2/16
RICHARD E. ALLEN P.E. 96930

INVENTORY PROJECT
354 HAMILTON AVE.
SAFETY HARBOR, FL.

PLAN DATE
4-29-2016

DEEB FAMILY HOMES, LTD.
9400 RIVER CROSSING BLD.
NEW PORT RICHEY, FL. 34655
727-376-6831



ALLEN ENGINEERING & CONSTRUCTION SERVICES
RICHARD E. ALLEN, PROFESSIONAL ENGINEER
P.E. # 56920 C.A. # 9542
8809 SKYMASTER DR.
NEW PORT RICHEY, FL. 34654
727-842-6100
richallenpe@gmail.com

21. FLOORS

A. MANUFACTURED FLOOR TRUSS FRAMING PLAN CONTAINED HEREIN IS FOR THE SOLE PURPOSE OF ILLUSTRATING THE DESIGN INTENT AND FOR PLANNING TO BE USED BY THE TRUSS COMPANY.

I. FLOOR JOISTS ARE SIZED BASED ON THE SOUTHERN PINE COUNCIL SPAN TABLES FOR NO. 2 GRADE DIMENSIONAL LUMBER.

II. FLOOR JOISTS FOR EXTERIOR DECKS SHALL BE PRESSURE TREATED.

B. FOR ALL WOOD FLOORS:

I. THE TRUSS TO WALL CONNECTIONS ARE IDENTIFIED ON THE FLOOR FRAMING PLAN.

II. A STRUCTURAL BAND JOIST IS TO BE PROVIDED ON THE EXTERIOR PERIMETER OF ALL BOTTOM BEARING FLOOR TRUSSES AND JOISTS. THE STRUCTURAL BAND JOIST IS TO BE FASTENED TO EACH END OF A FLOOR TRUSS OR JOIST WITH A SIMPSON L50 BRACKET USING SIMPSON SHORT 10d COMMON NAILS.

III. FLOOR TRUSSES OR JOISTS BEARING ON WOOD WALLS ARE TO BE SET WITH A MINIMUM OF THREE 10d COMMON NAILS (TOE NAILED) TO THE TOP PLATE OF THE WALL.

IV. A MOISTURE BARRIER SHALL BE INSTALLED BETWEEN ANY UNTREATED WOOD TRUSSES OR JOISTS AND CONCRETE OR ANY MASONRY.

V. LEDGERS/ NAILERS SHALL BE FASTENED TO WOOD STUDS OR BAND JOISTS (NOT SHEATHING) WITH A MINIMUM 2 3/8" X 5 1/2" LAG BOLTS WITH WASHERS AT EACH STUD INTERSECTION AT 16 INCHES ON CENTER AND SHALL CONSIST OF PRESSURE TREATED LUMBER 2 PLY 1 1/2" THICK BY A HEIGHT SHOWN IN THE PLANS. FOR CONCRETE OR MASONRY WALLS THE FASTENERS SHALL BE 5/8" X 5 1/2" SIMPSON TITEN HEAD CONCRETE BOLTS.

VI. FLOOR BEAMS

I. BEAMS SUPPORTING FLOOR TRUSSES AND JOISTS ARE TO BE ATTACHED AS SPECIFIED IN THE FLOOR FRAMING PLAN.

2. UNDER NO CIRCUMSTANCES ARE THERE TO BE BUTT JOINTS BETWEEN THE BEARING POINTS OF ANY PLY OF A MULTIPLE BEAM. THE PLYS ARE TO BE CONTINUOUS BETWEEN BEARING POINTS.

3. MULTIPLE BEAMS CONSISTING OF MANUFACTURED WOOD (I.E. GLULAM , MICROLAM) ARE TO HAVE THE INDIVIDUAL PLYS INTERCONNECTED AS REQUIRED BY THE MANUFACTURERS SPECIFICATIONS.

4. MULTIPLE BEAMS CONSISTING OF DIMENSIONAL LUMBER ARE TO HAVE INDIVIDUAL PLYS INTERCONNECTED AS FOLLOWS:

A. FOR TWO PLY BEAMS- ONE ROW OF 10d GALVANIZED COMMON NAILS AT 6" O.C. ON EACH SIDE OF THE BEAM

B. FOR THREE PLY BEAMS- TWO ROWS OF 16d GALVANIZED COMMON NAILS SPACED AT 6" O.C. (TOP AND BOTTOM) THRU EACH SIDE OF BEAM.

C. FOR FOUR PLY BEAMS OR LARGER- TWO ROWS OF 1/2" DIAMETER CARRIAGE BOLTS OR ALL THREAD ROD WITH NUTS AND WASHERS SPACED AT 12 INCHES ON CENTER, 2 INCHES FROM THE TOP AND BOTTOM EDGES OF THE BEAM.

D. FLOOR SHEATHING :

I. ALL FLOOR SHEATHING IS TO BE 3/4" TONGUE AND GROOVE PLYWOOD RATED FOR FLOOR SHEATHING APPLICATION.

II. FLOOR SHEATHING SHALL BE FASTENED TO THE FLOOR TRUSSES /JOISTS WITH 10d RING SHANK NAILS AT 6" ON CENTER WITH CONSTRUCTION GRADE ADHESIVE.

III. FLOOR SHEATHING SPECIFIED FOR SEALED EXTERIOR DECKS AND ITS INSTALLATION SHALL BE THE SAME AS THAT FOR INTERIOR APPLICATION EXCEPT PRESSURE TREATED AND THE FASTENERS TO BE GALVANIZED.

E. EXTERIOR DECK FLOORING:

1. DECK FLOORING SHALL BE INDIVIDUALLY SPECIFIED ON THE FLOOR FRAMING PLANS AND SHALL BE FASTENED TO THE UNDERLYING PRESSURE TREATED JOISTS WITH 3- 3 INCH DECK SCREWS AT EACH FLOORING JOIST INTERSECTION.

22. WALLS :

A. MASONRY

I. CONCRETE MASONRY UNITS (CMU) SHALL HAVE A MINIMUM COMPRESSIVE STRENGTH OF 1900 PSI

II. WALL CMU SHALL BE 8 INCH X 16 INCH IN SIZE OR 8 INCH X 8 INCH X 8 INCH FOR EDGE FINISHES.

III. CMU SHALL BE PLACED IN A RUNNING BOND AND THERE SHALL BE NO VERTICAL BUTT JOINTS EXCEPT AS SHOWN ON THE FLOOR PLAN FOR CONSTRUCTION JOINTS.

IV. REINFORCED FILLED CELLS AS SHOWN ON THE PLANS SHALL BE FILLED WITH " FINE" GRADE GROUT , HAVE A MINIMUM COMPRESSIVE STRENGTH OF 3,000 PSI AND 8 TO 11 INCH SLUMP TO ENSURE CONSOLIDATION.

V. BOND BEAMS SHALL BE POURED WITH GROUT MONOLITHICALLY WITH THE FILLED WALL CELLS-NO COLD JOINTS.

VI. VERTICAL STEEL REINFORCEMENT SHALL BE CONTINUOUS BETWEEN THE MIDDLE AND BOTTOM 1/3 OF THE FOOTING HEIGHT AND END IN THE TOP COURSE OF THE BOND BEAM WITH A STANDARD 10 INCH 90 DEGREE BEND.

VII. HORIZONTAL REINFORCING STEEL SHALL BE CONTINUOUS, INCLUDING AROUND CORNERS.

VIII. REINFORCING STEEL SPLICES SHALL CONSIST OF WIRE LAPS NO LESS THAN 40 TIMES THE STEEL BAR DIAMETER (I.E. 25 INCHES FOR #5 REBAR, 15 INCHES FOR #3 REBAR, AND 52 INCHES FOR #7 REBAR)

B. WOOD FRAME WALLS :

I. WALL STUD SIZES ARE SHOWN IN THE TYPICAL WALL SECTION.

II. LOAD BEARING.

1. WOOD STUDS IN WALLS SHALL BE SPACED 16 INCHES ON CENTER AND FASTENED TO THE TOP AND BOTTOM PLATES PER THE TOP PLATE SPLICE DETAIL. ALL LOAD BEARING STUDS TO BE SOUTHERN YELLOW PINE #2 GRADE OR BETTER.

2. LOAD BEARING WALLS SHALL HAVE A SINGLE BOTTOM PLATE (PRESSURE TREATED) IN CONTACT WITH MASONRY OR CONCRETE. SEE THE TOP PLATE SPICE DETAIL FOR TOP PLATE NAILING AND SPLICING REQUIREMENTS.

3. THE WOOD STUDS SHALL HAVE A SIMPSON SP2 AT THE TOP PLATE AND A PROPERLY SIZED SPH FOR THE BOTTOM PLATE (I.E. 4" STUD WALL = SPH4, 6" STUD WALL = SPH6)

4. 3 STUD PACK SHALL BE INSTALLED DIRECTLY BENEATH BEARING POINTS OF ALL GIRDERS AND BEAMS HAVING A GRAVITY LOAD OF UP TO 3,000 LBS.

5. STEEL TUBE COLUMNS SHALL BE INSTALLED IN THE WALL DIRECTLY BENEATH GIRDERS AND BEAMS HAVING GRAVITY LOADS GREATER THAN 3000 LBS.

6. BASE PLATES SHALL BE FASTENED TO MONOLITHIC FOOTINGS WITH 5/8" X 8 INCH ANCHOR BOLTS OR SIMPSON TITEN HD. CONCRETE BOLTS OF THE SAME SIZE AT 24 INCHES ON CENTER. ALL CONNECTIONS SHALL BE MADE WITH 3 INCH SQUARE BY 1/8 INCH THICK WASHERS

7. BASE PLATES BEARING ON WOOD SHALL BE FASTENED WITH 16d COMMON NAILS AT 8" O.C. THROUGH ANY FLOOR SHEATHING AND TO UNDERLYING LUMBER (NOT SHEATHING ONLY) AND USE BLOCKING AS NEEDED TO MAINTAIN NAILING SPACING REQUIREMENTS.

8. FOR EXTERIOR LOAD BEARING WALLS, EACH STUD ABOVE THE BASE PLATE SHALL BE FASTENED TO THE UNDERLYING BAND JOIST OR BEAM WITH A SIMPSON LSTA18 STRAP. FOR THIS SITUATION THE SIMPSON SPH BRACKET TO THE BASE PLAN MAY BE OMITTED.

9. FOR INTERIOR LOAD BEARING WALLS, 1/2 INCH ALL THREAD ROD SHALL BE INSTALLED AT 32" O.C. FROM THE BASE PLATE THROUGH THE SHEATHING AND TOP PLATE OF UNDERLYING SUPPORTING WALL. ALL CONNECTIONS SHALL INCLUDE A STANDARD 3 INCH SQUARE WASHER.

10. HEADER BEAMS SHALL BE SIZED ACCORDING TO THE ENCLOSED HEADER SCHEDULE AND FASTENED WITH A MINIMUM OF TWO SIMPSON LSTA36 STRAPS OVER EACH END TO THE JACK STUDS BELOW. IN ADDITION, THE HEADER BEAMS SHALL BE FASTENED WITH A MINIMUM OF 3-10d COMMON NAILS (TOE NAILED ON EACH FACE SIDE AT EACH END TO THE ABUTTING FULL LENGTH STUDS.

III. NON LOAD BEARING WALLS:

1. WOOD STUDS IN WALLS SHALL BE SPACED AT 16 INCHES ON CENTER AND FASTENED TO THE TOP AND BOTTOM PLATES WITH A MINIMUM OF THREE 10d COMMON NAILS. NAILS INSTALLED IN PRESSURE TREATED WOOD SHALL BE GALVANIZED.

2. INCIDENTAL , NON STRUCTURAL FRAMING ITEMS SUCH AS KNEE WALLS, DROP CEILINGS, BUILT IN SHELVING, NICHES, ETC. MAY BE CONSTRUCTED WITH 2 X 4'S AT 24" O.C. AT THE DISCRETION OF THE BUILDER

2. NON LOAD BEARING WALLS SHALL HAVE A SINGLE BOTTOM PLATE (PRESSURE TREATED AGAINST MASONRY AND CONCRETE) AND A SINGLE TOP PLATE.

3. BASE PLATES SHALL BE FASTENED TO CONCRETE SLABS WITH 1/4 INCH BY 3 1/2 INCH TAPCON SCREWS AT 12 " ON CENTER

4. BASE PLATES ON WOOD SHALL BE FASTENED WITH 16d COMMON NAILS AT 8" ON CENTER.

C. SHEATHING

I. PLYWOOD SHEATHING.

1. EXTERIOR WALL SHEATHING COVERED BY AN ARCHITECTURAL FINISH SHALL BE MINIMUM 7/16 INCH THICK (NOMINAL) 4 PLY PLYWOOD MANUFACTURED WITH EXTERIOR GLUE.

2. THE LONG SIDE OF THE SHEATHING SHALL BE INSTALLED PERPENDICULAR TO THE WALL STUDS.

3. FASTEN TO STUDS AND BLOCKING WITH 8d RING SHANK NAILS AT 4 INCHES ON CENTER ALL LOCATIONS.

4. IN ADDITION TO THE REGULAR FASTENING, A SECOND ROW SHALL BE INSTALLED AT THE DOUBLE TOP PLATE AND TO THE LOWEST HORIZONTAL WOOD MEMBER ON AN EXTERIOR WALL. (I.E. SILL PLATE , BAND JOIST)

5. FOR PLYWOOD SHEATHING COVERED WITH A CEMENTITIOUS FINISH ALL BUTT JOINTS NOT ON WALL STUDS SHALL BE BLOCKED WITH 2 X BLOCKING , TOE NAILED AT EACH END TO THE WALL STUDS WITH 3-8d COMMON NAILS.

II. PARTICLE BOARD

1. PARTICLE BOARD IS NOT TO BE USED WITHOUT THE EXPRESS, WRITTEN CONSENT OF THE STRUCTURAL ENGINEER AND THE PROPERTY OWNER.

III. ARCHITECTURAL FINISHES

1. ARCHITECTURAL WALL FINISHES , SUCH AS STUCCO, CEMENTITIOUS COATING , SIDING OR PAINT ARE MENTIONED HERE ONLY FOR THE PURPOSE OF UNDERSTANDING THAT THEIR INSTALLATION AND ASSOCIATED DETAILS ARE NOT THE RESPONSIBILITY OF THE STRUCTURAL ENGINEER.

23. COLUMNS

A. CONCRETE / MASONRY COLUMNS

1. MASONRY COLUMNS SHALL BE CONSTRUCTED OF PILASTER CONCRETE BLOCK OR FORMED AND POURED. WALL BLOCK SHALL NOT BE USED FOR MASONRY COLUMNS.

II. REINFORCING STEEL SHALL BE GRADE 60 AND HELD IN PLACE BY STIRUPS SPACED AT 12 INCHES ON CENTER VERTICALLY.

III. PILASTER BLOCK COLUMNS SHALL BE FILLED WITH A FINE GROUT HAVING A MINIMUM OF COMPRESSIVE STRENGTH OF 3,000 PSI

IV. FORMED AND POURED COLUMNS SHALL CONSIST OF A MINIMUM OF 3,000 PSI CONCRETE, OR IN AREAS OF HIGH CHLORIDES, SUCH AS NEAR THE COAST OR BODIES OF SALT WATER , THE MINIMUM SHALL BE 5,000 PSI

V. ALL MASONRY COLUMNS SHALL BEGIN AT THE FOUNDATION OR AT A MONOLITHIC FOOTING, IN NO CASE SHALL THERE BE A BREAK OR A COLD JOINT IN THE GROUT OF A COLUMN EXCEPT AT 1 FOOT FROM THE TOP IN PREPARATION FOR INSTALLATION OF A CONCRETE LINTEL

VI. METAL CONNECTORS AT THE TOP OF THE COLUMN FOR HOLDING WOOD BEAMS OR GIRDERS SHALL BE INSTALLED WITH THE MINIMUM EMBEDMENT OF THE ASSOCIATED FASTENERS FOR THE CONNECTOR AS SHOWN ON THE PLANS.

B. WOOD COLUMNS :

I. ALL LOAD BEARING WOOD COLUMNS SHALL BE A MINIMUM OF #2 GRADE PRESSURE TREATED WOOD.

II. DIMENSIONAL WOOD COLUMNS OF 4 INCHES BY 4 INCHES IN CROSS SECTION SHALL ONLY BE USED FOR SUPPORTING OPEN WOOD DECKS WHERE THE FLOOR HEIGHT ABOVE THE FLOOR BELOW IS 8 FEET OR LESS. ALL OTHER DIMENSIONAL WOOD COLUMNS SHALL HAVE A MINIMUM OF 6 INCHES BY 6 INCHES.

III. METAL CONNECTORS AT THE BASE AND THE TOP OF WOOD COLUMNS SHALL BE OF THE TYPE THAT RESISTS LATERAL LOADS AS WELL AS UPLIFT AND GRAVITY LOADS IN NO CASE SHALL FLAT STRAPS BE USED UNLESS SPECIFICALLY SHOWN IN THE PLANS OR CROSS SECTION DETAILS.

STRUCTURAL ENGINEER NOTES



DEEB FAMILY HOMES, LTD. 9400 RIVER CROSSING BLD. NEW PORT RICHEY, FL. 34655 727-376-6831

Table with 2 columns: PLAN DATE, 4-23-2016

INVENTORY PROJECT 354 HAMILTON AVE. SAFETY HARBOR, FL.

THESEY CERTIFY THAT I HAVE PERFORMED THE ATTACHED DESIGN TO COMPLY WITH ALL APPLICABLE LOCAL, STATE AND FEDERAL REQUIREMENTS AND IT IS IN COMPLIANCE WITH SECTION 301 OF THE 2014 FLORIDA RESIDENTIAL BUILDING CODE. SEALED FOR ARCHITECTURE ONLY. SIGNED: RICHARD T. ALLEN P.E. #69310

A.E.C.S. 16038

PLAN 3292

ALLEN ENGINEERING & CONSTRUCTION SERVICES RICH ALLEN PROFESSIONAL ENGINEER P.E. # 56920 C.A. # 9562 8809 SKYMASTER DR. NEW PORT RICHEY, FL. 34654 727-842-6100 richallenpe@gmail.com

C. COMPOSITE COLUMNS

- I. A COMPOSITE COLUMN HERE IS DEFINED AS A HOLLOW COLUMN CONSISTING OF ANY MATERIAL SPECIFICALLY DESIGNED BY ITS MANUFACTURER TO BE LOAD BEARING. ANY OTHER TYPE OF HOLLOW COLUMN IS CONSIDERED AN ARCHITECTURAL FINISH INTENDED TO FIT OVER A STRUCTURAL COLUMN AND ITS USE AND DETAILS OF INSTALLATION ARE NOT THE RESPONSIBILITY OF THE STRUCTURAL ENGINEER.
- II. LOAD BEARING COMPOSITE COLUMNS ARE A MANUFACTURED PRODUCT SUBJECT TO THE DESIGN AND LOAD BEARING CAPACITY AS DETERMINED BY THE MANUFACTURER. A SHOP DRAWING OR A LETTER FOR THE INSTALLATION OF THE COLUMN SHALL BE PROVIDED BY THE STRUCTURAL ENGINEER TO SUPPLEMENT THE CONSTRUCTION PLANS AFTER THE SPECIFIC COLUMN AND MANUFACTURER HAVE BEEN IDENTIFIED.
- III. IN ALL CASES, THE COLUMN MANUFACTURER'S INFORMATION SHALL BE PROVIDED TO THE STRUCTURAL ENGINEER BY THE CONTRACTING CLIENT OR HIS AGENT FOR REVIEW PRIOR TO ITS ACCEPTANCE FOR THE STRUCTURAL DESIGN. THE INFORMATION SHALL INCLUDE THE LATERAL AS WELL AS UPLIFT AND GRAVITY LOAD BEARING CAPACITIES.
- D. STEEL TUBE COLUMNS:
 - I. LOAD BEARING STEEL TUBE COLUMNS SHALL HAVE A MINIMUM WALL THICKNESS OF 1/4 INCH AND BE MADE OF STEEL WITH A DESIGN YIELD STRENGTH OF 46 PSI UNLESS OTHERWISE SHOWN IN THE STRUCTURAL DESIGN
 - II. THE SPECIFIC CONNECTION SCHEME SHALL BE SHOWN IN THE STRUCTURAL DESIGN WHERE THE STEEL TUBE COLUMN IS TO BE INSTALLED.
- E. ALUMINUM COLUMNS:
 - I. LOAD BEARING ALUMINUM COLUMNS SHALL HAVE A MINIMUM WALL THICKNESS OF 1/4 INCH.
 - II. ALL FASTENERS AND CONNECTORS FOR ALUMINUM COLUMNS SHALL BE STAINLESS STEEL OR MONEL TO AVOID CORROSION DUE TO DISSIMILAR METALS BEING IN CONTACT.
 - III. THE SPECIFIC CONNECTION SCHEME SHALL BE SHOWN IN THE STRUCTURAL DESIGN WHERE THE ALUMINUM COLUMN IS TO BE INSTALLED.
24. ROOF
 - A. MANUFACTURED WOOD TRUSSES
 - I. THE MANUFACTURED ROOF TRUSS FRAMING PLAN CONTAINED HEREIN IS FOR THE SOLE PURPOSE OF ILLUSTRATING THE DESIGN INTENT AND FOR PLANNING TO BE USED BY THE TRUSS COMPONENT AND TRUSS SYSTEM ENGINEER OF THE TRUSS MANUFACTURER IN DEVELOPING THE ACTUAL SYSTEM DESIGN. IT IS NOT INTENDED TO BE USED FOR ANY OTHER PURPOSE AS IT IS SUBJECT TO ENGINEERING AND MAY BE DIFFERENT FROM THE FINAL DESIGN.
 - II. MANUFACTURED ROOF TRUSSES SHALL BE DESIGNED BY A LICENSED TRUSS COMPONENT AND TRUSS SYSTEM ENGINEER ACTING AS A DELEGATED ENGINEER AND WORKING THROUGH A TRUSS MANUFACTURER FOR THIS PURPOSE. THE SELECTION OF THE TRUSS MANUFACTURER IS HEREBY SUBORDINATED TO THE BUILDING CONTRACTOR.
 - III. THE TRUSS PLAN "SIGNED AND SEALED" BY THE DELEGATED ENGINEER SHALL BE PROVIDED TO AND PRIOR TO CONSTRUCTION OF THE UNDERLYING STRUCTURE AS THE STRUCTURAL ENGINEER RESERVES THE RIGHT TO MAKE STRUCTURAL CHANGES BASED ON THE FINAL FLOOR TRUSS SYSTEM.
 - VI. THE TRUSS MANUFACTURER SHALL PROVIDE ALL LATERAL BRACING REQUIREMENTS TO THE BUILDING CONTRACTOR. IF NOT, THE BUILDING CONTRACTOR IS TO NOTIFY THE STRUCTURAL ENGINEER FOR GUIDANCE.
 - V. IN ADDITION TO THE METAL CONNECTORS SHOWN IN THE TRUSS LAYOUT OF THE ORIGINAL PLANS, EACH TRUSS IS TO BE SET ON WOOD FRAME BEARING WALLS OR SILL PLATES WITH 10d COMMON NAILS (TOE-NAILED)
 - VI. A MOISTURE BARRIER IS TO BE INSTALLED BETWEEN UNTREATED WOOD AND CONCRETE / MASONRY
 - 23.2 CONVENTIONAL FRAME
 - I. IN ADDITION TO THE METAL CONNECTORS SHOWN IN THE TRUSS LAYOUT OF THE ORIGINAL PLANS, EACH RAFTER IS TO BE SET ON WOOD FRAME BEARING WALLS OR SILL PLATES WITH 3- 10d COMMON NAILS (TOE-NAILED)
 - II. ANY WOOD COMING IN CONTACT WITH MASONRY OR CONCRETE IS TO BE PRESSURE TREATED OR A MOISTURE BARRIER IS TO BE INSTALLED BETWEEN UNTREATED WOOD AND CONCRETE OR MASONRY.

- III. COLLAR TIES ARE TO BE INSTALLED BETWEEN RAFTERS AT 2/3 OF THE RIDGE HEIGHT FROM WHERE THE RAFTERS BEAR ON WALLS. THE COLLAR TIES ARE TO BE FASTENED WITH A MINIMUM OF 4-10d 16 COMMON NAILS (CLINCHED) AT EACH LAP JOINT. EACH RAFTER IS TO BE ATTACHED TO THE RIDGE BEAM WITH A LIGHT ANGLE HANGER AS SHOWN IN THE FRAMING PLAN. IN ADDITION, A FLAT METAL STRAP SHALL BE INSTALLED ACROSS THE RIDGE BEAM TO TWO OPPOSING RAFTER. TO BE REVIEWED BY THE STRUCTURAL ENGINEER FOR COMPLYING WITH THE DESIGN INTENT OF THE ORIGINAL PLAN AND FOR ANY CHANGES TO THE "TRUSS TO THE UNDERLYING STRUCTURE" CONNECTIONS.
- IV. AS PART OF THE REVIEW, THE STRUCTURAL ENGINEER WILL DETERMINE WHETHER THE TRUSS TO WALL / BEAM METAL CONNECTORS SHOWN IN THE ORIGINAL PLANS ARE ACCEPTABLE OR WHETHER THEY NEED TO BE CHANGED OR SUPPLEMENTED TO ACCOMMODATE THE LOADS SHOWN IN THE TRUSS COMPONENT SHEETS.
- V. THE STRUCTURAL ENGINEER IS NOT RESPONSIBLE FOR VERIFYING THE DIMENSIONAL, ARCHITECTURAL, OR FORM ASPECTS OF THE OF THE TRUSS MANUFACTURERS PLAN WITH THE ORIGINAL PLANS.
- VI. THE MINIMUM LIVE LOADS FOR THE ROOF TRUSS DESIGN IS TO BE ON FBC 2010 SECTION 1607 FOR ROOF TYPE AND ROOFING MATERIAL.
- VII. THE DEAD LOADS ARE LISTED IN ITEM 16 ABOVE.
- VIII. ALL TRUSS TO TRUSS AND TRUSS TO GIRDER CONNECTORS ARE TO BE SPECIFIED BY THE TRUSS MANUFACTURER, INCLUDING CONNECTORS FOR TRUSS TO MANUFACTURED BEAM (I.E. GUELAM, OR MICROLAM) SPECIFIED BY THE TRUSS MANUFACTURER. A SPECIFIC HANGER MUST BE SELECTED AND IDENTIFIED ON THE SIGNED AND SEALED COMPONENT SHEETS FOR EACH LOCATION, A HANGER IS REQUIRED IN THE TRUSS SYSTEM.
- IX. THE TRUSS PLAN SIGNED AND SEALED BY THE DELEGATED ENGINEER SHALL BE PROVIDED TO AND REVIEWED BY THE STRUCTURAL ENGINEER FOR COMPLYING WITH THE DESIGN INTENT OF THE ORIGINAL PLAN AND FOR ANY CHANGES TO THE "TRUSS TO UNDERLYING STRUCTURE" CONNECTIONS. THIS PLAN MUST BE PROVIDED TO THE STRUCTURAL ENGINEER.
- X. A RIDGE BEAM TERMINATING AT A GABLE END SHALL BE SUPPORTED BY A MINIMUM 3 STUD PACK COLUMN BEARING ON THE UNDERLYING WALL OR BEAM.
- XI. TREATED LUMBER-DOUBLE 1 1/2 INCH BY A HEIGHT SHOWN ON THE PLANS. FOR CONCRETE OR MASONRY WALLS THE FASTENERS SHALL BE 5/8 INCH BY 5 1/2 INCH SIMPSON TITEN HD CONCRETE BOLTS.
- XII. SLEEPERS SHALL BE FASTENED TO UNDERLYING ROOF TRUSSES OR RAFTERS (NOT SHEATHING) WITH A MINIMUM OF 2-3/8 INCH BY 3 1/2 INCH LAG BOLTS AND WASHERS AT EACH TRUSS OR RAFTER INTERSECTION AND NO GREATER THAN 24 INCHES ON CENTER AND SHALL CONSIST OF DIMENSIONAL LUMBER 1 1/2 INCH THICK BY A WIDTH SHOWN IN THE PLANS.
- XIII. USE 2 INCH BY 4 INCH BLOCKING ATTACHED BETWEEN UNDERLYING STUDS, TRUSSES OR RAFTERS WITH A MINIMUM OF 3-10d NAILS AT EACH IN ORDER TO SATISFY THE ON CENTER SPACING FOR THE LEDGERS OR SLEEPERS.
- XIV. BEAMS SUPPORTING ROOF TRUSSES OR RAFTERS ARE TO BE ATTACHED AS SPECIFIED IN THE ROOF FRAMING PLANS.
24. UNDER NO CIRCUMSTANCES ARE THERE TO BE BUTT JOINTS BETWEEN THE BEARING POINTS OF ANY PLY OF A MULTIPLE BEAM. THE PLYS ARE TO BE CONTINUOUS BETWEEN BEARING POINTS.
 - A. LEDGERS/ SLEEPERS
 - I. LEDGERS / NAILERS SHALL BE FASTENED TO WOOD STUDS (NOT SHEATHING) WITH A MINIMUM OF 2- 3/8 INCH BY 5 1/2 INCH LAG BOLTS WITH WASHERS AT EACH STUD INTERSECTION AND NO GREATER THAN 16 INCHES ON CENTER AND SHALL CONSIST ON PRESSURE TREATED WOOD.
 - II. MULTIPLE BEAMS CONSISTING OF MANUFACTURED WOOD (I.E. GUELAM, MICROLAM) ARE TO HAVE THE INDIVIDUAL PLYS INTERCONNECTED AS REQUIRED BY THE MANUFACTURERS SPECIFICATIONS.

- III. MULTIPLE BEAMS CONSISTING OF DIMENSIONAL LUMBER ARE TO HAVE THE INDIVIDUAL PLYS INTERCONNECTED AS FOLLOWS:
 - I. FOR TWO PLY BEAMS - ONE ROW OF 10d GALVANIZED COMMON NAILS AT 6 INCHES ON CENTER ON EACH SIDE OF BEAM.
 - II. FOR THREE PLY BEAMS- TWO ROWS OF 16d GALVANIZED COMMON NAILS AT 6" ON CENTER (TOP AND BOTTOM) THRU EACH SIDE OF THE BEAM.
 - III. FOR FOUR PLY BEAMS AND LARGER- TWO ROWS OF 1/2 INCH DIAMETER CARRIAGE BOLTS OR ALL THREAD RODS WITH NUTS AND WASHERS SPACED AT 12" ON CENTER 2 INCHES FROM THE TOP AND BOTTOM EDGES OF THE BEAM.
- B. SHEATHING :
 - I. ROOF SHEATHING COVERED BY COMPOSITE ROOFING SHALL BE A MINIMUM OF 15/32 INCH THICK (NOMINAL) O.S.B. MANUFACTURED WITH EXTERIOR GLUE.
 - II. ROOF SHEATHING COVERED BY TILE SHALL BE A MINIMUM OF 5/8 INCH THICK (NOMINAL) MANUFACTURED WITH EXTERIOR GLUE.
 - III. THE LONG SIDE OF THE SHEATHING SHALL BE INSTALLED PERPENDICULAR TO THE ROOF TRUSS SYSTEM.
 - IV. FASTENING SHALL BE 8d RING SHANK NAILS AT 4 INCHES ON CENTER AT BOUNDARY AND EDGES AND 6 INCHES ON CENTER IN THE FIELD WITH A SETBACK OF 5'-0" FROM ALL EDGES.
 - V. METAL "H" CLIPS OR SOLID WOOD BLOCKING SHALL BE USED AT ALL UNSUPPORTED BUTT JOINTS BETWEEN TRUSSES OR RAFTERS.
25. PRECAST CONCRETE LINTELS
 - A. PRECAST AND PRESTRESSED CONCRETE LINTELS SHALL BE MANUFACTURED BY CASTCRETE AND INSTALLED PER MANUFACTURES SPECIFICATIONS AND INSTRUCTIONS.
 - B. THE SIZE OF THE LINTELS SHALL BE BASED ON THE SPAN AND LOAD. REFER TO THE ATTACHED SCHEDULE UNLESS OTHERWISE SHOWN IN THE STRUCTURAL DESIGN FOR THE SPECIFIED LINTEL
 - C. LINTEL SCHEDULE U.N.O. ON PLANS:
 - I. SPAN UP TO 3'- 8F8-0B
 - II. SPAN UP TO 3' TO < 6' - 8F8-0B
 - III. SPAN 6' TO > 14' - 8F16- 1B/1T
 - D. THE MINIMUM SPECIFIED GROUT COMPRESSIVE STRENGTH TO BE USED FOR LINTELS IS 3,000 PSI.
 - E. THE REINFORCING STEEL SHALL BE ASTM GRADE 60
26. FASTENERS / METAL CONNECTORS.
 - A. ALL FASTENERS AND METAL CONNECTORS SHALL BE MANUFACTURED BY SIMPSON STRONG TIE AND INSTALLED PER THE MANUFACTURES SPECIFICATIONS AND INSTRUCTIONS.
 - B. THESE FASTENERS DO NOT INCLUDE TYPICAL NAILS AND SCREWS WHICH MAY BE MANUFACTURED BY OTHERS.
 - C. FOLLOW ALL MANUFACTURES SPECIFICATIONS AND INSTRUCTIONS FOR ALL FASTENERS, METAL CONNECTIONS, SCREWS, NAILS, ETC. THAT ARE IN CONTACT WITH PRESSURE TREATED LUMBER.
27. DIMENSIONAL LUMBER :
 - A. ALL LOAD BEARING WALLS SHALL BE SOUTHERN YELLOW PINE #2 OR BETTER GRADED AND STAMPED BY THE CERTIFYING AGENCY . IN ADDITION, ALL WOOD SHALL BE PRESSURE TREATED FOR EXTERIOR USE WHERE EXPOSED TO MOISTURE, PLACED WITHIN 12 INCHES OF SOIL OR IN CONTACT WITH CONCRETE OR MASONRY.
28. STRUCTURAL SHEATHING:
 - A. ALL SHEATHING USED FOR EXTERIOR APPLICATIONS SHALL BE EXTERIOR GRADE AND ADA STAMPED AND VERIFYING ITS RATING.
29. MASONRY:
 - A. CONCRETE MASONRY UNITS SHALL CONFORM WITH AMERICAN MASONRY INSTITUTE STANDARD 530
 - B. CONCRETE MASONRY UNITS SHALL HAVE A MINIMUM COMPRESSIVE STRENGTH OF 1900 PSI
 - C. MORTAR SHALL BE OF TYPE M OR S GRAY MORTAR.
30. GROUT:
 - A. ALL GROUT SHALL BE A FINE TYPE HAVING A MINIMUM COMPRESSIVE STRENGTH OF 3,000 PSI UNLESS SPECIFICALLY SHOWN OTHERWISE BY A MANUFACTURER PURSUANT TO GROUT USE WITH ITS PRODUCTS.
31. REINFORCING STEEL :
 - A. ALL REINFORCING STEEL SHALL BE ASTM GRADE 40 EXCEPT GRADE 60 SHALL BE USED FOR GRADE BEAMS, ALL LINTEL TYPES (I.E. PRECAST AND FIELD PREFORMED) COLUMNS UNLESS OTHERWISE SHOWN IN THE STRUCTURAL PLANS.

STRUCTURAL ENGINEER NOTES

PLAN 3292

A.E.C.S. 16038



DEEB FAMILY HOMES, LTD.
9400 RIVER CROSSING BLD.
NEW PORT RICHEY, FL 34655
727-376-6831

PLAN DATE
4-29-2016

INVENTORY PROJECT
354 HAMILTON AVE.
SAFETY HARBOR, FL.

THESE NOTES SHALL BE USED IN CONJUNCTION WITH THE ATTACHED DESIGN TO COMPLY WITH ALL APPLICABLE CODES AND REGULATIONS. IT IS THE RESPONSIBILITY OF THE DESIGNER TO VERIFY THAT ALL APPLICABLE CODES AND REGULATIONS ARE IN COMPLIANCE WITH THE 2014 FLORIDA RESIDENTIAL BUILDING CODE. SIGNED FOR STRUCTURE ONLY
RICHARD E. ALLEN P.E. #6620

ALLEN ENGINEERING & CONSTRUCTION SERVICES
RICH ALLEN PROFESSIONAL ENGINEER
P.E. # 56920 C.A. # 9542
8809 SKYMASTER DR.
NEW PORT RICHEY, FL. 34654
727-842-6100
richallenpe@gmail.com

32. STRUCTURAL STEEL AND CONNECTION ACCESSORY MATERIAL:
- A. I-BEAMS, FORMED STRUCTURAL STEEL, FLAT BAR OR PLATE SHALL BE ASTM GRADE A36 UNLESS STATED OTHERWISE.
 - B. ALL STRUCTURAL STEEL SHALL HAVE A MINIMUM OF TWO COATS OF PRIMER AND TWO COATS OF EPOXY AS A CORROSION PREVENTIVE. THE BUILDING CONTRACTOR MAY VARY FROM THIS SPECIFICATION WITH THE APPROVAL OF THE STRUCTURAL ENGINEER IF IT CAN BE DEMONSTRATED ANOTHER MEANS OF CORROSION CONTROL IS EQUALLY EFFECTIVE.
 - C. ALL WELDING OF STRUCTURAL STEEL SHALL BE MADE WITH E60/70 TYPE ELECTRODES. THE DEPTH AND LENGTH FOR THE WELD SHALL BE SPECIFIED IN THE STRUCTURAL DESIGN FOR THE SPECIFIC CONNECTION.
33. VENTILATION:
- A. THE STRUCTURAL ENGINEER IS NOT RESPONSIBLE FOR DETERMINING VENTILATION REQUIREMENTS OF CRAWL SPACES, FLOORS AND ATTICS NOR THE MEANS AND METHODS FOR IMPLEMENTING THESE REQUIREMENTS.
34. WATERPROOFING:
- A. ANY RENDERING OF NOTES OF WATERPROOFING MEASURES FOR BASEMENTS OR HALF BASEMENTS SHOWN IN THESE PLANS WHERE A SPECIFIC CONSTRUCTION DETAIL IS NOT SHOWN IN THE STRUCTURAL DESIGN IS AN ARCHITECTURAL ILLUSTRATION ONLY AND IS NOT PART OF THE STRUCTURAL DESIGN OR THE RESPONSIBILITY OF THE STRUCTURAL ENGINEER.
 - B. CRICKETS ARE ASSOCIATED WITH THE ARCHITECTURAL FINISHES AND ARE NOT THE RESPONSIBILITY OF THE STRUCTURAL ENGINEER.
35. FIRE RESISTANT DESIGN:
- A. FIRE RESISTANT DESIGN OF STRUCTURAL ELEMENTS SHALL BE INCIDENTAL TO THEIR STRUCTURAL DESIGN AND SHALL BE BASED ON UNDERWRITERS LABORATORY OR GYPSUM ASSOCIATION DESIGN FOR FIRE RATED FLOOR, WALL AND ROOF ASSEMBLIES.
36. FLOOD RESISTANT DESIGN:
- A. FLOOD RESISTANT DESIGN OF FLOOD RESISTANT DESIGN OF STRUCTURAL ELEMENTS SHALL BE INCIDENTAL TO THEIR STRUCTURAL DESIGN AND SHALL BE BASED ON THE REQUIREMENTS STATED IN TITLE 44 CFR SECTIONS 59 AND 60, AND ON THOSE OF THE INDIVIDUAL COMMUNITY RATING AGENCIES FOR THE GOVERNMENTAL JURISDICTION WHERE THE CONSTRUCTION IS TO BE DONE.
 - B. HOWEVER, THE STRUCTURAL ENGINEER IS NOT RESPONSIBLE FOR IDENTIFYING AND SHOWING ON THE PLANS THE FLOOD ZONE CATEGORY, BASE FLOOD ELEVATION, AND THE FLOOR AND STORY HEIGHTS OF THE BUILDING IN RELATION TO THE BASE FLOOD ELEVATION. THIS INFORMATION IS CONSIDERED ARCHITECTURAL AND SITE RELATED AND SHALL BE PROVIDED TO THE STRUCTURAL ENGINEER BY THE CONTRACTING CLIENT OR HIS AGENT.
37. SPECIAL CONSTRUCTION:
- I. ALUMINUM STRUCTURAL COLUMNS.
 - A. ANY ALUMINUM STRUCTURES SHOWN IN THESE PLANS SUCH AS PORCH AND POOL ENCLOSURES OR GUARDRAILS AND HANDRAILS ARE FOR ARCHITECTURAL ILLUSTRATION ONLY AND ARE NOT PART OF THE STRUCTURAL DESIGN OR THE RESPONSIBILITY OF THE STRUCTURAL ENGINEER.
 - B. WHERE THE ALUMINUM STRUCTURE ATTACHES TO THE MAIN STRUCTURE OR IS INCORPORATED IN THE MAIN STRUCTURE, SHOP DRAWINGS FOR THESE STRUCTURES SHALL BE PROVIDED TO THE STRUCTURAL ENGINEER TO DETERMINE THEIR EFFECT ON THE MAIN STRUCTURE.
 - II. SWIMMING POOLS:
 - A. ANY SWIMMING POOL OR HOT TUBS SHOWN IN THESE PLANS ARE FOR ARCHITECTURAL ILLUSTRATION ONLY AND ARE NOT PART OF THE STRUCTURAL DESIGN OR THE RESPONSIBILITY OF THE STRUCTURAL DESIGN.
 - III. FENCES AND RETAINING WALLS:
 - A. ANY RENDERING OF FENCES, RETAINING WALLS OR EXTERIOR PLANTERS WHERE A SPECIFIC STRUCTURAL DETAIL IS NOT SHOWN FOR THEIR CONSTRUCTION ARE FOR ARCHITECTURAL ILLUSTRATION ONLY AND ARE NOT THE RESPONSIBILITY OF THE STRUCTURAL ENGINEER.
 - IV. DRIVEWAYS AND WALKWAYS:
 - A. ANY DRIVEWAYS OR WALKWAYS SHOWN IN THESE PLANS ARE FOR ARCHITECTURAL ILLUSTRATION PURPOSES ONLY AND ARE NOT PART OF THE STRUCTURAL DESIGN OR THE RESPONSIBILITY OF THE STRUCTURAL ENGINEER.

Project: Dar

Floor and Roof Live Loads	
Attics:	20 psf w/ storage, 10 psf w/o storage
Habitable Attics, Bedroom:	30 psf
All Other Rooms:	40 psf
Garage:	40 psf
Roofs:	20 psf

Wind Design Data	
Ultimate Wind Speed:	145 mph
Nominal Wind Speed:	112 mph
Risk Category:	II
Wind Exposure:	B
Enclosure Classification:	Enclosed
Internal Pressure Coefficient:	0.18 +/-

Components and Cladding Design Pressures:	
Roofing Zone 1:	+20.7 psf max., -22.6 psf min.
Roofing Zone 2:	+20.7 psf max., -26.5 psf min.
Roofing Zone 3:	-26.5 psf min.
Roofing at Zone 2 Overhangs:	-38.3 psf min.
Roofing at Zone 3 Overhangs:	-38.3 psf min.
Stucco, Cladding, Doors & Windows:	
Zone 4:	+22.6 psf max., -24.5 psf min.
Zone 5:	+22.6 psf max., -30.2 psf min.
End Zone Width:	4.00 ft.

The Nominal Wind Speed was used to determine the above Component and Cladding Design Pressures.

All exterior glazed openings shall be protected from wind-borne debris as per Section 1609.1.2 of the 2014 FBC.

The site of this building is not subject to special topographic wind effects as per Section 1609.1.1.J of the 2014 FBC.

Geotechnical Information	
Design Soil Load-Bearing Capacity:	2,000 psf

Flood Design Data	
Flood Zone:	X

This table was created using Windload Calculator Plus software (2014 Florida Building Code Edition) available from WindCalcs.com

*** 0.6 ALLOWABLE STRESS DESIGN USED ***

WIND LOAD DESIGN DATA

S4

DEEB FAMILY HOMES, LTD.
9400 RIVER CROSSING BLD.
NEW PORT RICHEY, FL. 34655
727-376-6831

PLAN DATE

4-28-2016

INVENTORY PROJECT
354 HAMILTON AVE.
SAFETY HARBOR, FL.

A.E.C.S. 16038

HEREBY CERTIFY THAT I HAVE PERFORMED THE ATTACHED DESIGN TO COMPLY WITH 145 MPH ULTIMATE WIND LOADS AND IT IS IN COMPLIANCE WITH SECT. 501 OF THE 2014 FLORIDA RESIDENTIAL BUILDING CODE
SEALED FOR RECORD
RICHARD E. ALLEN P.E. #56800

PLAN 3292

ALLEN ENGINEERING & CONSTRUCTION SERVICES
RICH ALLEN PROFESSIONAL ENGINEER
P.E. # 56920 C.A. # 9542
8809 SKYMASTER DR.
NEW PORT RICHEY, FL. 34654
727-842-6100
richallenpe@gmail.com

32. STRUCTURAL STEEL AND CONNECTION ACCESSORY MATERIAL:
- A. I-BEAMS, FORMED STRUCTURAL STEEL, FLAT BAR OR PLATE SHALL BE ASTM GRADE A36 UNLESS STATED OTHERWISE.
 - B. ALL STRUCTURAL STEEL SHALL HAVE A MINIMUM OF TWO COATS OF PRIMER AND TWO COATS OF EPOXY AS A CORROSION PREVENTIVE. THE BUILDING CONTRACTOR MAY VARY FROM THIS SPECIFICATION WITH THE APPROVAL OF THE STRUCTURAL ENGINEER IF IT CAN BE DEMONSTRATED ANOTHER MEANS OF CORROSION CONTROL IS EQUALLY EFFECTIVE.
 - C. ALL WELDING OF STRUCTURAL STEEL SHALL BE MADE WITH E60/70 TYPE ELECTRODES. THE DEPTH AND LENGTH FOR THE WELD SHALL BE SPECIFIED IN THE STRUCTURAL DESIGN FOR THE SPECIFIC CONNECTION.
33. VENTILATION:
- A. THE STRUCTURAL ENGINEER IS NOT RESPONSIBLE FOR DETERMINING VENTILATION REQUIREMENTS OF CRAWL SPACES, FLOORS AND ATTICS NOR THE MEANS AND METHODS FOR IMPLEMENTING THESE REQUIREMENTS.
34. WATERPROOFING:
- A. ANY RENDERING OF NOTES OF WATERPROOFING MEASURES FOR BASEMENTS OR HALF BASEMENTS SHOWN IN THESE PLANS WHERE A SPECIFIC CONSTRUCTION DETAIL IS NOT SHOWN IN THE STRUCTURAL DESIGN IS AN ARCHITECTURAL ILLUSTRATION ONLY AND IS NOT PART OF THE STRUCTURAL DESIGN OR THE RESPONSIBILITY OF THE STRUCTURAL ENGINEER.
 - B. CRICKETS ARE ASSOCIATED WITH THE ARCHITECTURAL FINISHES AND ARE NOT THE RESPONSIBILITY OF THE STRUCTURAL ENGINEER.
35. FIRE RESISTANT DESIGN:
- A. FIRE RESISTANT DESIGN OF STRUCTURAL ELEMENTS SHALL BE INCIDENTAL TO THEIR STRUCTURAL DESIGN AND SHALL BE BASED ON UNDERWRITERS LABORATORY OR GYPSUM ASSOCIATION DESIGN FOR FIRE RATED FLOOR, WALL AND ROOF ASSEMBLIES.
36. FLOOD RESISTANT DESIGN:
- A. FLOOD RESISTANT DESIGN OF FLOOD RESISTANT DESIGN OF STRUCTURAL ELEMENTS SHALL BE INCIDENTAL TO THEIR STRUCTURAL DESIGN AND SHALL BE BASED ON THE REQUIREMENTS STATED IN TITLE 44 CFR SECTIONS 59 AND 60, AND ON THOSE OF THE INDIVIDUAL COMMUNITY RATING AGENCIES FOR THE GOVERNMENTAL JURISDICTION WHERE THE CONSTRUCTION IS TO BE DONE.
 - B. HOWEVER, THE STRUCTURAL ENGINEER IS NOT RESPONSIBLE FOR IDENTIFYING AND SHOWING ON THE PLANS THE FLOOD ZONE CATEGORY, BASE FLOOD ELEVATION, AND THE FLOOR AND STORY HEIGHTS OF THE BUILDING IN RELATION TO THE BASE FLOOD ELEVATION. THIS INFORMATION IS CONSIDERED ARCHITECTURAL AND SITE RELATED AND SHALL BE PROVIDED TO THE STRUCTURAL ENGINEER BY THE CONTRACTING CLIENT OR HIS AGENT.
37. SPECIAL CONSTRUCTION:
- I. ALUMINUM STRUCTURAL COLUMNS.
 - A. ANY ALUMINUM STRUCTURES SHOWN IN THESE PLANS SUCH AS PORCH AND POOL ENCLOSURES OR GUARDRAILS AND HANDRAILS ARE FOR ARCHITECTURAL ILLUSTRATION ONLY AND ARE NOT PART OF THE STRUCTURAL DESIGN OR THE RESPONSIBILITY OF THE STRUCTURAL ENGINEER.
 - B. WHERE THE ALUMINUM STRUCTURE ATTACHES TO THE MAIN STRUCTURE OR IS INCORPORATED IN THE MAIN STRUCTURE, SHOP DRAWINGS FOR THESE STRUCTURES SHALL BE PROVIDED TO THE STRUCTURAL ENGINEER TO DETERMINE THEIR EFFECT ON THE MAIN STRUCTURE.
 - II. SWIMMING POOLS:
 - A. ANY SWIMMING POOL OR HOT TUBS SHOWN IN THESE PLANS ARE FOR ARCHITECTURAL ILLUSTRATION ONLY AND ARE NOT PART OF THE STRUCTURAL DESIGN OR THE RESPONSIBILITY OF THE STRUCTURAL DESIGN.
 - III. FENCES AND RETAINING WALLS:
 - A. ANY RENDERING OF FENCES, RETAINING WALLS OR EXTERIOR PLANTERS WHERE A SPECIFIC STRUCTURAL DETAIL IS NOT SHOWN FOR THEIR CONSTRUCTION ARE FOR ARCHITECTURAL ILLUSTRATION ONLY AND ARE NOT THE RESPONSIBILITY OF THE STRUCTURAL ENGINEER.
 - IV. DRIVEWAYS AND WALKWAYS:
 - A. ANY DRIVEWAYS OR WALKWAYS SHOWN IN THESE PLANS ARE FOR ARCHITECTURAL ILLUSTRATION PURPOSES ONLY AND ARE NOT PART OF THE STRUCTURAL DESIGN OR THE RESPONSIBILITY OF THE STRUCTURAL ENGINEER.

Project: Dar

Floor and Roof Live Loads	
Attics:	20 psf w/ storage, 10 psf w/o storage
Habitable Attics, Bedroom:	30 psf
All Other Rooms:	40 psf
Garage:	40 psf
Roofs:	20 psf

Wind Design Data	
Ultimate Wind Speed:	145 mph
Nominal Wind Speed:	112 mph
Risk Category:	II
Wind Exposure:	B
Enclosure Classification:	Enclosed
Internal Pressure Coefficient:	0.18 +/-

Components and Cladding Design Pressures:	
Roofing Zone 1:	+20.7 psf max., -22.6 psf min.
Roofing Zone 2:	+20.7 psf max., -26.5 psf min.
Roofing Zone 3:	-26.5 psf min.
Roofing at Zone 2 Overhangs:	-38.3 psf min.
Roofing at Zone 3 Overhangs:	-38.3 psf min.
Stucco, Cladding, Doors & Windows:	
Zone 4:	+22.6 psf max., -24.5 psf min.
Zone 5:	+22.6 psf max., -30.2 psf min.
End Zone Width:	4.00 ft.

The Nominal Wind Speed was used to determine the above Component and Cladding Design Pressures.

All exterior glazed openings shall be protected from wind-borne debris as per Section 1609.1.2 of the 2014 FBC.

The site of this building is not subject to special topographic wind effects as per Section 1609.1.1.1 of the 2014 FBC.

Geotechnical Information	
Design Soil Load-Bearing Capacity:	2,000 psf

Flood Design Data	
Flood Zone:	X

This table was created using Windload Calculator Plus software (2014 Florida Building Code Edition) available from WindCalcs.com

*** 0.6 ALLOWABLE STRESS DESIGN USED ***

WIND LOAD DESIGN DATA



DEEB FAMILY HOMES, LTD.
9400 RIVER CROSSING BLD.
NEW PORT RICHEY, FL 34655
727-376-6831

PLAN DATE

4-29-2016

INVENTORY PROJECT
354 HAMILTON AVE.
SAFETY HARBOR, FL.

A.E.C.S. 16038

THESE CERTIFY THAT I HAVE PERFORMED THE ATTACHED DESIGN TO COMPLY WITH AS SHOWN ULTIMATE WIND LOADS AND IT IS IN COMPLIANCE WITH SECT. 301 OF THE 2014 FLORIDA RESIDENTIAL BUILDING CODE. SEALED FOR USE ONLY.
SIGNED: *[Signature]*
RICHARD E. ALLEN P.E. #56920

PLAN 3292

ALLEN ENGINEERING & CONSTRUCTION SERVICES
RICH ALLEN PROFESSIONAL ENGINEER
P.E. # 56920 C.A. # 9542
8809 SKYMASTER DR.
NEW PORT RICHEY, FL. 34654
727-842-6100
richallenpe@gmail.com

TERMITE SPECIFICATIONS

INSTALL BORA-CARE TERMITE PROTECTION SYSTEM PER MANUF. SPECIFICATIONS

DRIVEWAY SPEC:
DRIVEWAY NOT IN RIGHT OF WAY TO BE BRICK PAVERS.
DRIVEWAY IN RIGHT OF WAY TO BE 6" 3000 PSI CONCRETE WITH FIBERMESH AND WIRE REINFORCEMENT

SYNTHETIC FIBER REINFORCEMENT IN CONCRETE FOR SLAB ON GRADE SHALL COMPLY WITH FBC SECT. 1911.2 (EXCEPTION 1)

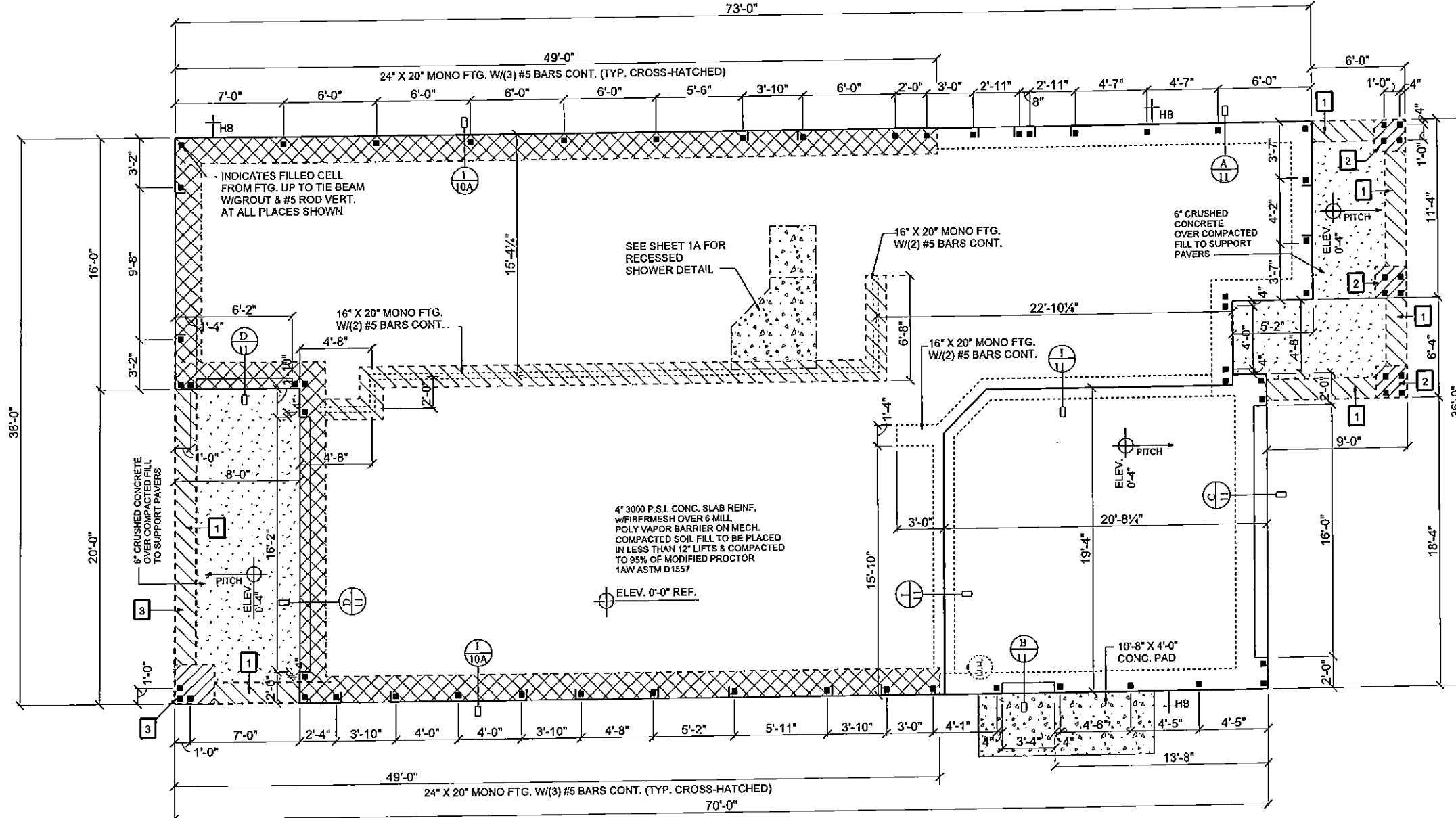
FOOTING LEGEND

- 1 RECESSED 16" X 16" CONC. FTG. W/(2) #5 BARS CONT. BETWEEN COLUMN PADS
- 2 24" X 24" X 20" CONC. PAD W/3 #5 REBARS EACH WAY
- 3 30" X 30" X 20" DEEP CONC. FTG. W/(3) #5 BARS EACH WAY
- 4 36" X 36" X 20" CONC. PAD W/4 #5 REBARS EACH WAY
- 5 40" X 40" X 20" CONC. PAD W/5 BARS AT 6" O.C EACH WAY
- 6 48" X 48" X 20" D CONC. PAD W/5 REBARS @ 6" O/C EACH WAY

SEE SHEET 1A FOR FOUNDATION PLUMBING AND EXPANSION PLAN

NOTES

- 1) NO SOILS INFORMATION PROVIDED. PRESUMED ALLOWABLE SOIL BEARING CAPACITY IS 2,000 P.S.F.
- 2) FOOTINGS TO BEAR MIN. 12" BELOW GRADE
- 3) FOOTINGS TO BEAR ON UNDISTURBED SOIL OR FILL COMPACTED TO 95% MOD. PROCTOR BETWEEN LESS THAN 12" LIFTS.
- 4) ALL BEARING SOILS TO BE FREE OF DEBRIS AND ORGANIC MATERIAL.
- 5) REFER TO STRUCTURAL ENGINEER NOTES.



FOUNDATION PLAN

SCALE: 1/8" = 1'-0"

A.E.C.S. #16038

PLAN 3292

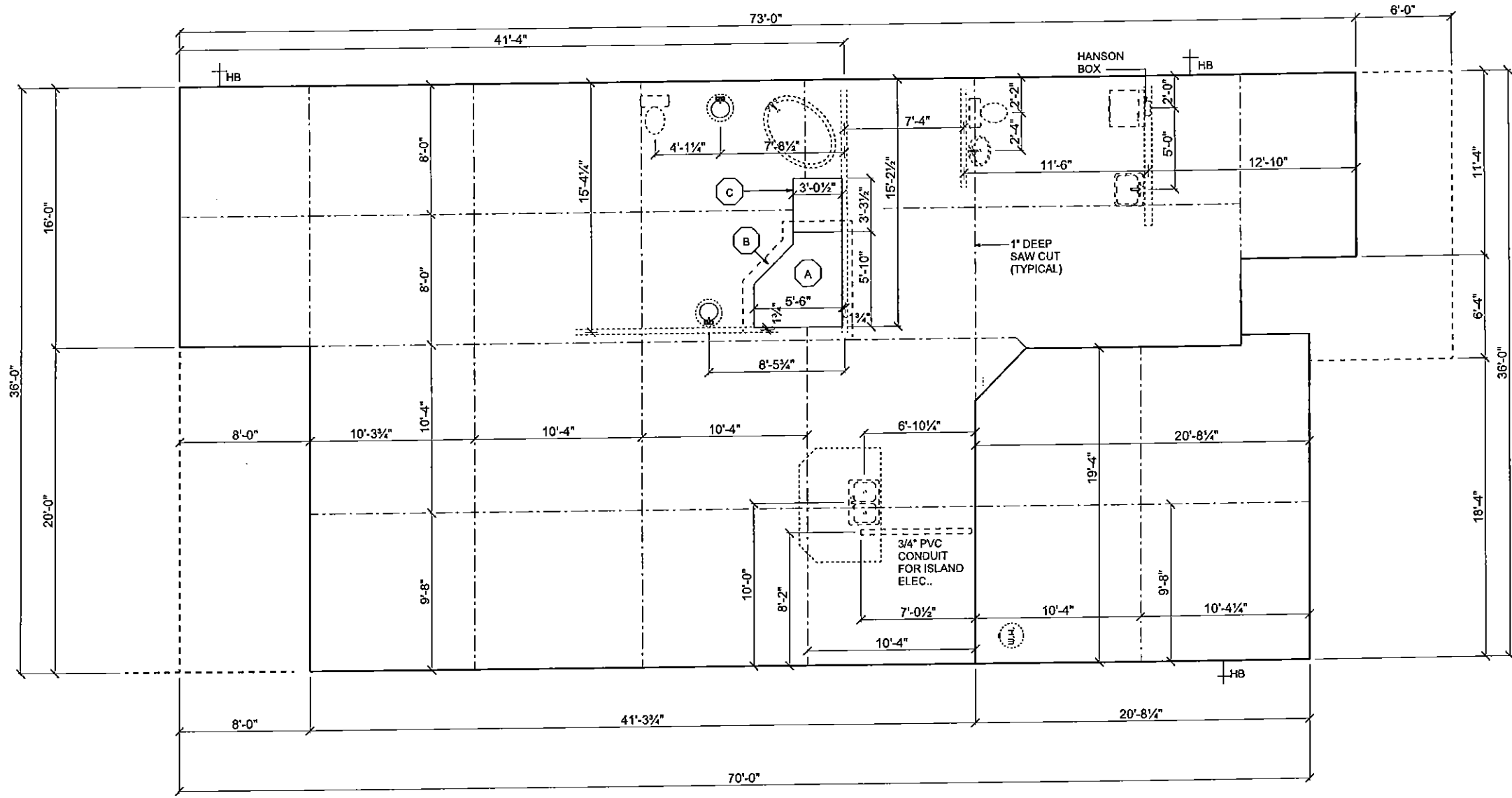
DEEB FAMILY HOMES, LTD.
9400 RIVER CROSSING BLD.
NEW PORT RICHEY, FL. 34655

LOT 17 SAFETY HARBOR
1. PRELIMINARY PLAN ADAPTED FROM PLAN 3345
2. STRUCTURAL ENG.

I HEREBY CERTIFY THAT I HAVE PERFORMED THE ATTACHED DESIGN TO COMPLY WITH AS APH ULTIMATE WIND LOADS, EXPOSURE B AND IT IS IN COMPLIANCE WITH CHAPTER 16 OF THE 2016 FLORIDA BUILDING CODE. SEALED FOR PROFESSIONAL USE.
RICHARD ALLEN P.E. #56920

ALLEN ENGINEERING & CONSTRUCTION SERVICES
RICHARD ALLEN PROFESSIONAL ENGINEER
P.E. #56920 C.A. #9542
NEW PORT RICHEY, FL. 34654
727-842-6100
richallenpe@gmail.com

1



FOUNDATION PLUMBING & EXPANSION

SCALE: 1/8" = 1'-0"

PLAN 3292

DEEB FAMILY
HOMES, LTD.
9400 RIVER CROSSING BLD.
NEW PORT RICHEY, FL. 34655

LOT 17
SAFETY HARBOR

1. PRELIMINARY PLAN ADAPTED FROM PLAN 3345
2. STRUCTURAL ENG.

PLAN DATE

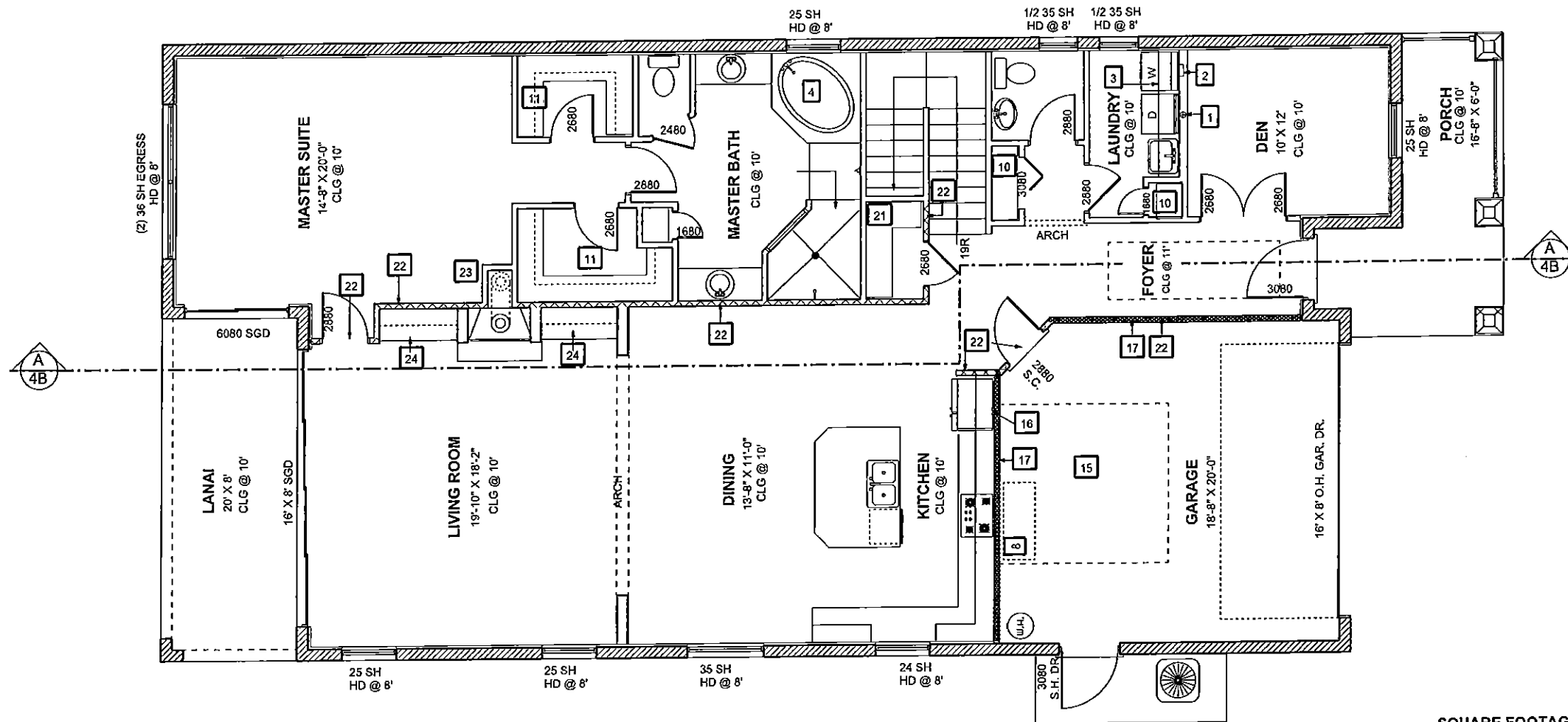
1. 04-22-2016
2. 04-29-2016

1A

FLOOR PLAN NOTES

- 1 DRYER VTR IN 6" WALL
- 2 HANSON BOX @ 42" AFF
- 3 12" WIRE SHELF @ 5'-6" AFF
- 4 TOP OF TUB PLATFORM @ 20" AFF
- 5 16" D TILED SHOWER SEAT @ 16" ABV. SHWR FLR
- 6 TOP OF TILED SHELF @ 20" AFF
- 7 TUB ACCESS
- 8 22" X 54" CLG ACCESS
- 9 22" X 36" CLG ACCESS
- 10 (4) 16" SHELVES
- 11 16" SHELF

- 12 TOP OF BAR @ 42" AFF
- 13 TOP OF TEMPERED GLASS SHOWER ENCLOSURE @ 7" AFF
- 14 AIR HANDLER UNIT ON PLATFORM
- 15 AREA OF A/C TRUSSES
- 16 INSTALL 1/4" WATER LINE FOR ICEMAKER
- 17 R-13 BATT INSULATION
- 18 16" W X 6" D FIREPLACE COLUMNS TYP.
- 19 COUNTERTOP @ 36" AFF/OPEN BELOW
- 20 2850 TEMPERED F.G. HD @ 8' AFF
- 21 (4) 20" SHELVES
- 22 LOAD BEARING WALL
- 23 CHIMNEY CHASE
- 24 22"D X 36" H BASE CABINET W/12" D BOOKCASE ABOVE TO 8' AFF.



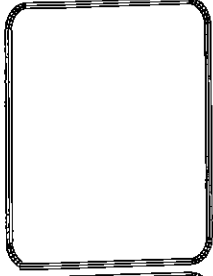
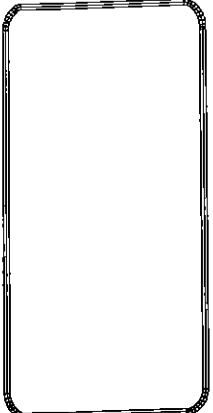
SQUARE FOOTAGES

MAIN FLR. LIVING AREA:	1988 S.F.
2ND FLR. LIVING AREA:	1304 SF
TOTAL LIVING AREA:	3292 SF
GARAGE:	396 S.F.
2ND FLR COV. DECK	395 S.F.
LANAI:	160 S.F.
ENTRY:	134 SF
TOTAL:	4377 SF

PLAN 3292

SCALE: 1/8" = 1'-0"

NOTED FLOOR PLAN



**LOT 17
SAFETY HARBOR**

1. PRELIMINARY PLAN ADAPTED FROM PLAN 5345
2. STRUCTURAL ENG.

PLAN DATE	
1.	04-22-2016
2.	04-29-2016

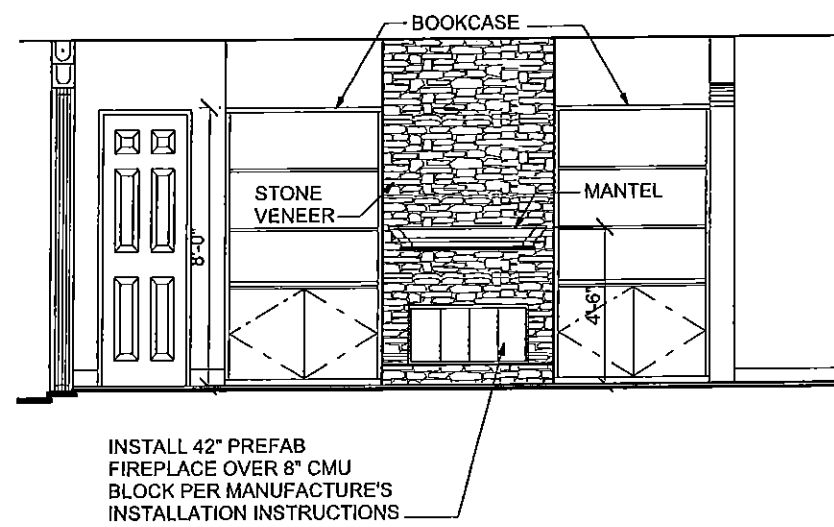
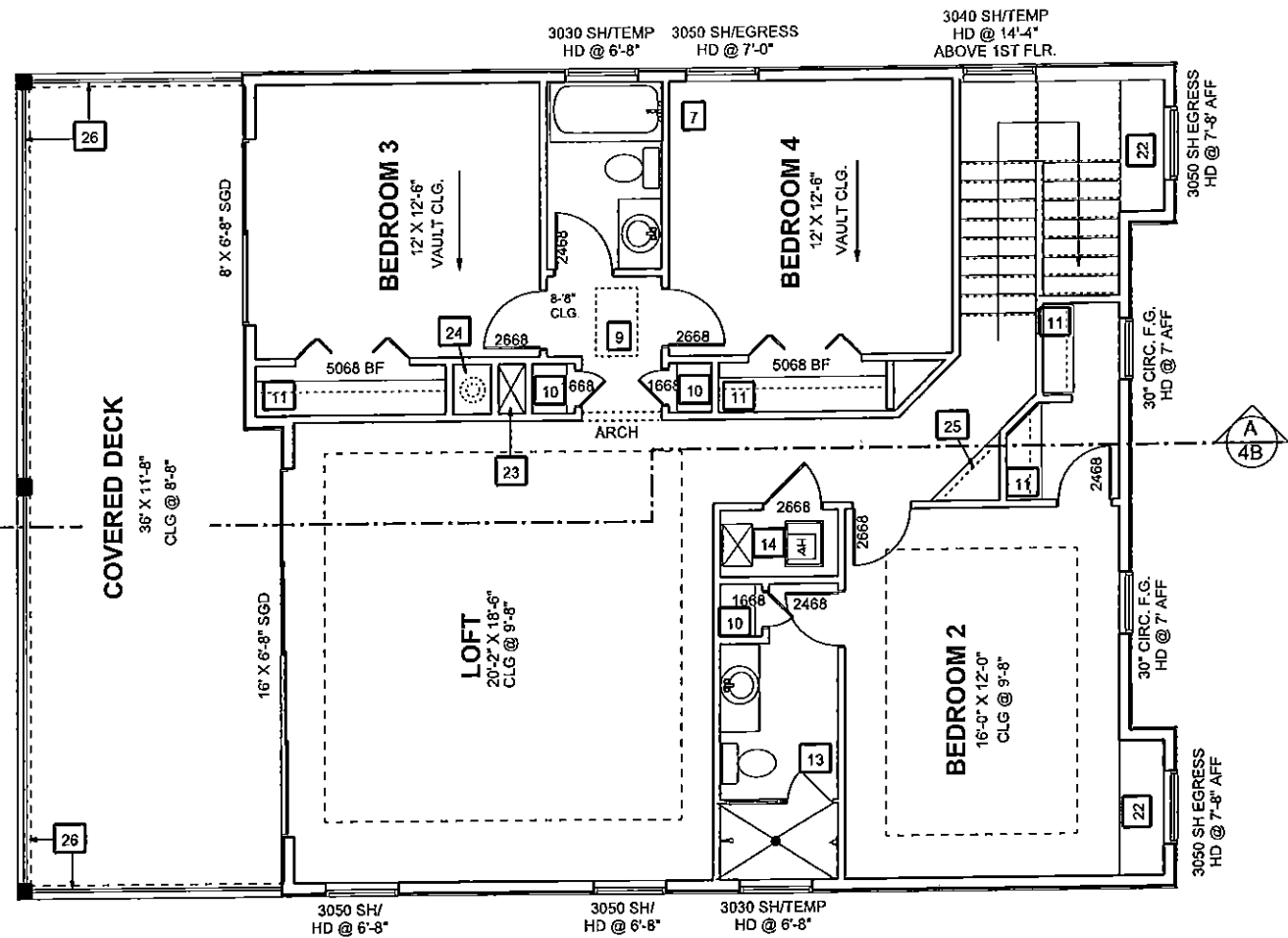
**DEEB FAMILY
HOMES, LTD.**

9400 RIVER CROSSING BLD.
NEW PORT RICHEY, FL. 34655

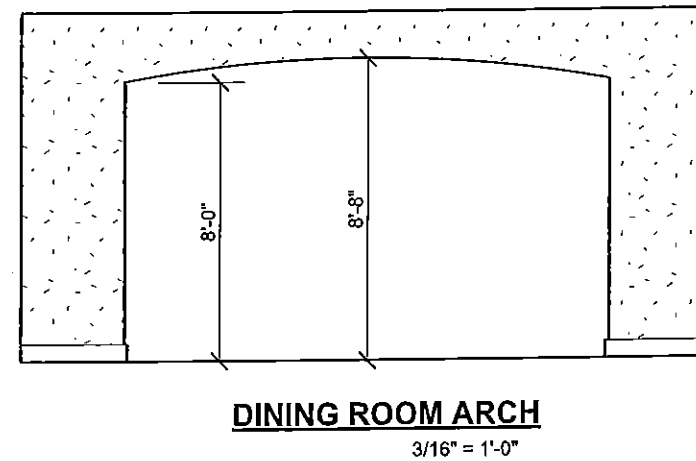
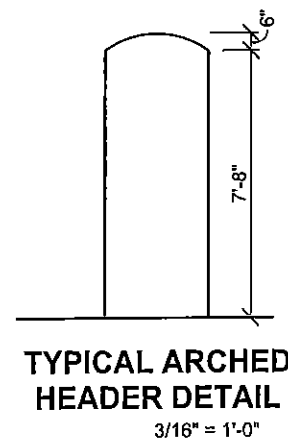
2

FLOOR PLAN NOTES

- 1 DRYER VTR IN 6" WALL
- 2 HANSON BOX @ 42" AFF
- 3 12" WIRE SHELF @ 5'-6" AFF
- 4 TOP OF TUB PLATFORM @ 20" AFF
- 5 16" D TILED SHOWER SEAT @ 16" ABV. SHWR FLR
- 6 TOP OF TILED SHELF @ 20" AFF
- 7 TUB ACCESS
- 8 22" X 54" CLG ACCESS
- 9 22" X 36" CLG ACCESS
- 10 (4) 16" SHELVES
- 11 16" SHELF
- 12 TOP OF BAR @ 42" AFF
- 13 TOP OF TEMPERED GLASS SHOWER ENCLOSURE @ 7' AFF
- 14 AIR HANDLER UNIT ON PLATFORM
- 15 AREA OF A/C TRUSSES
- 16 INSTALL 1/4" WATER LINE FOR ICEMAKER
- 17 R-13 BATT INSULATION
- 18 16" W X 6" D FIREPLACE COLUMNS TYP.
- 19 COUNTERTOP @ 36" AFF/OPEN BELOW
- 20 2850 TEMPERED F.G. HD @ 8' AFF
- 21 (4) 20" SHELVES
- 22 WINDOW SEAT
- 23 A/C CHASE FROM CLG. TO FLOOR SYSTEM
- 24 CHIMNEY CHASE
- 25 RECESSED WALL NICHE: TOP @ 42" AFF
W/WALL BELOW, HEAD @ 7' AFF
- 26 42"H GUARDRAIL



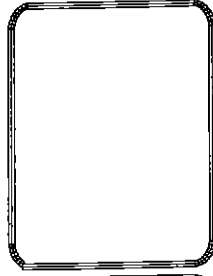
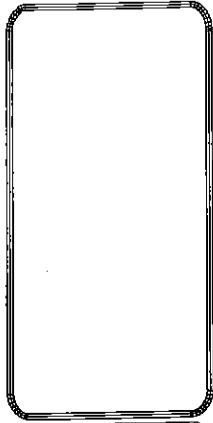
FAMILY ROOM WALL ELEVATION
3/16" = 1'-0"



PLAN 3292

SCALE: 1/8" = 1'-0"

NOTED 2ND FLOOR PLAN

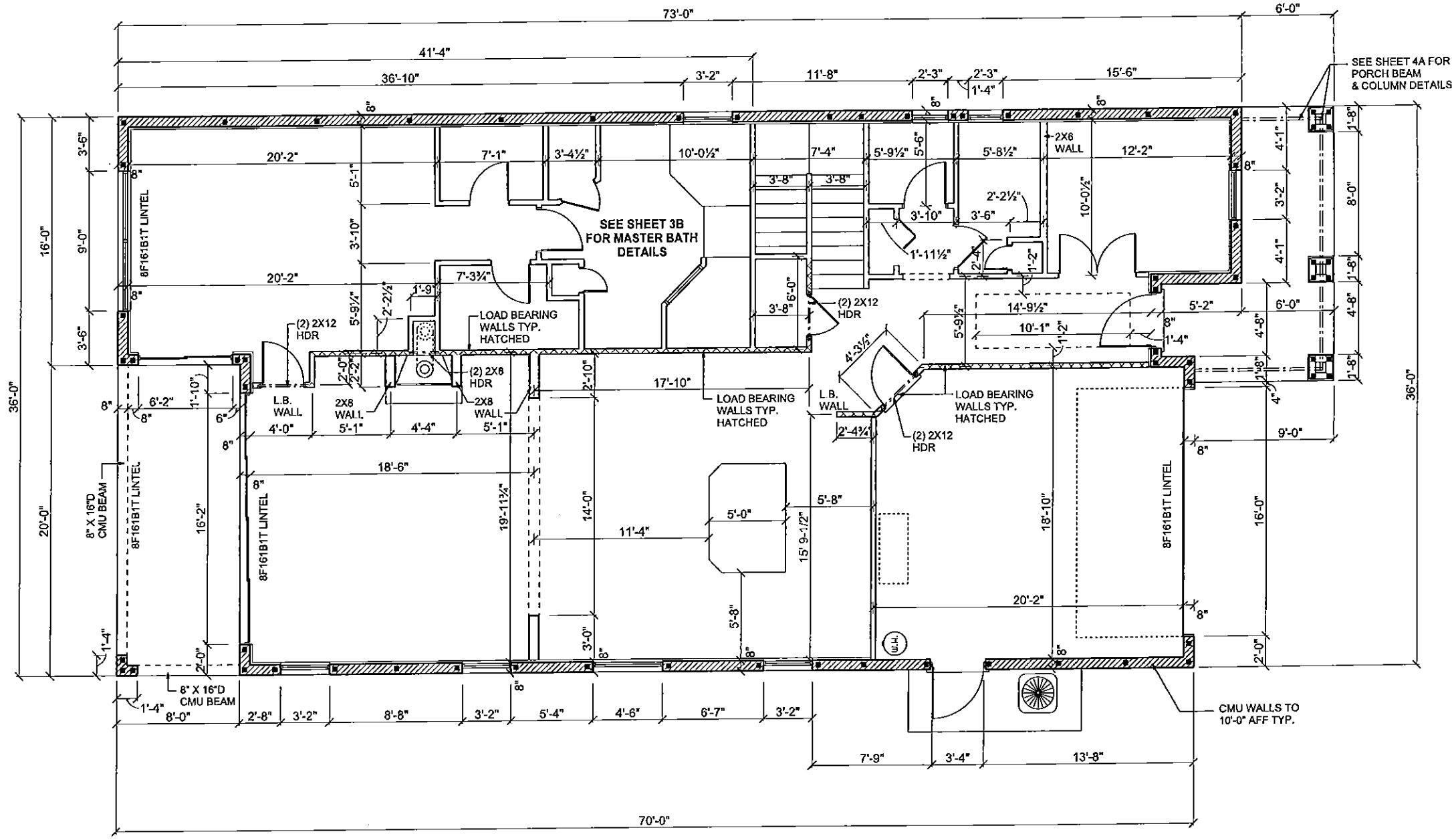


LOT 17
SAFETY HARBOR
1. PRELIMINARY PLAN ADAPTED FROM PLAN 3345
2. STRUCTURAL ENG.

PLAN DATE
1. 04-22-2016
2. 04-29-2016

DEEB FAMILY HOMES, LTD.
9400 RIVER CROSSING BLD.
NEW PORT RICHEY, FL. 34655

2A



DIMENSIONED FLOOR PLAN

SCALE: 1/8" = 1'-0"

A.E.C.S. #16038

PLAN 3292

DEEB FAMILY HOMES, LTD.
 9400 RIVER CROSSING BLD.
 NEW PORT RICHEY, FL. 34655

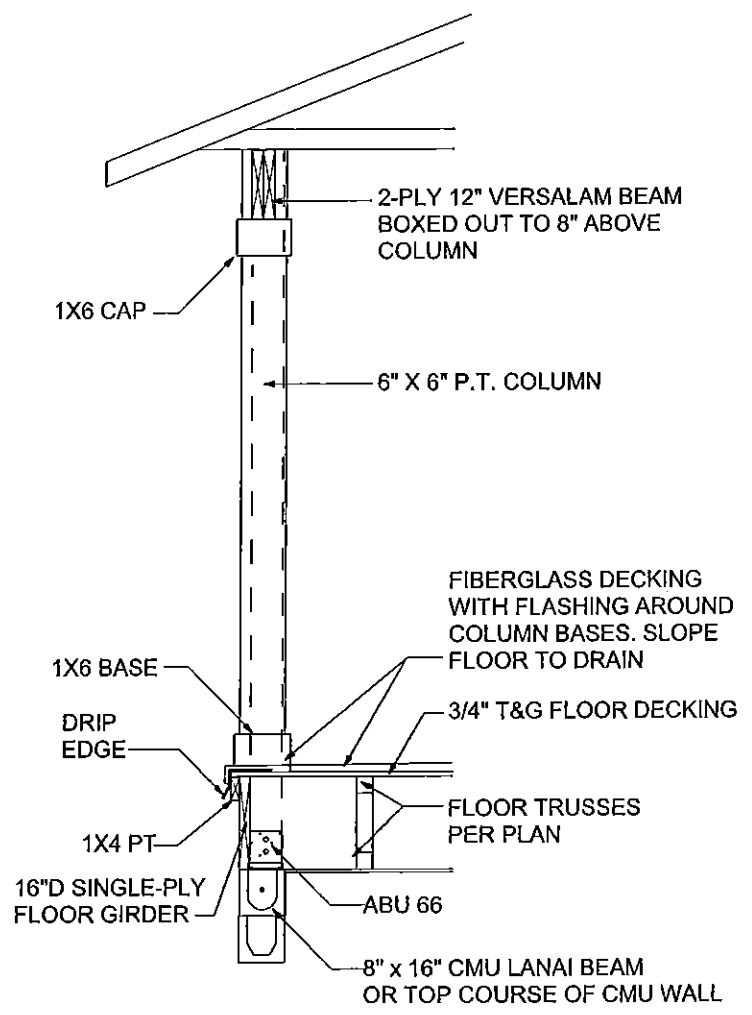
PLAN DATE
1. 04-19-2016
2. 04-29-2016

LOT 17 SAFETY HARBOR
 1. PRELIMINARY PLAN ADAPTED FROM PLAN 3345
 2. STRUCTURAL ENG.

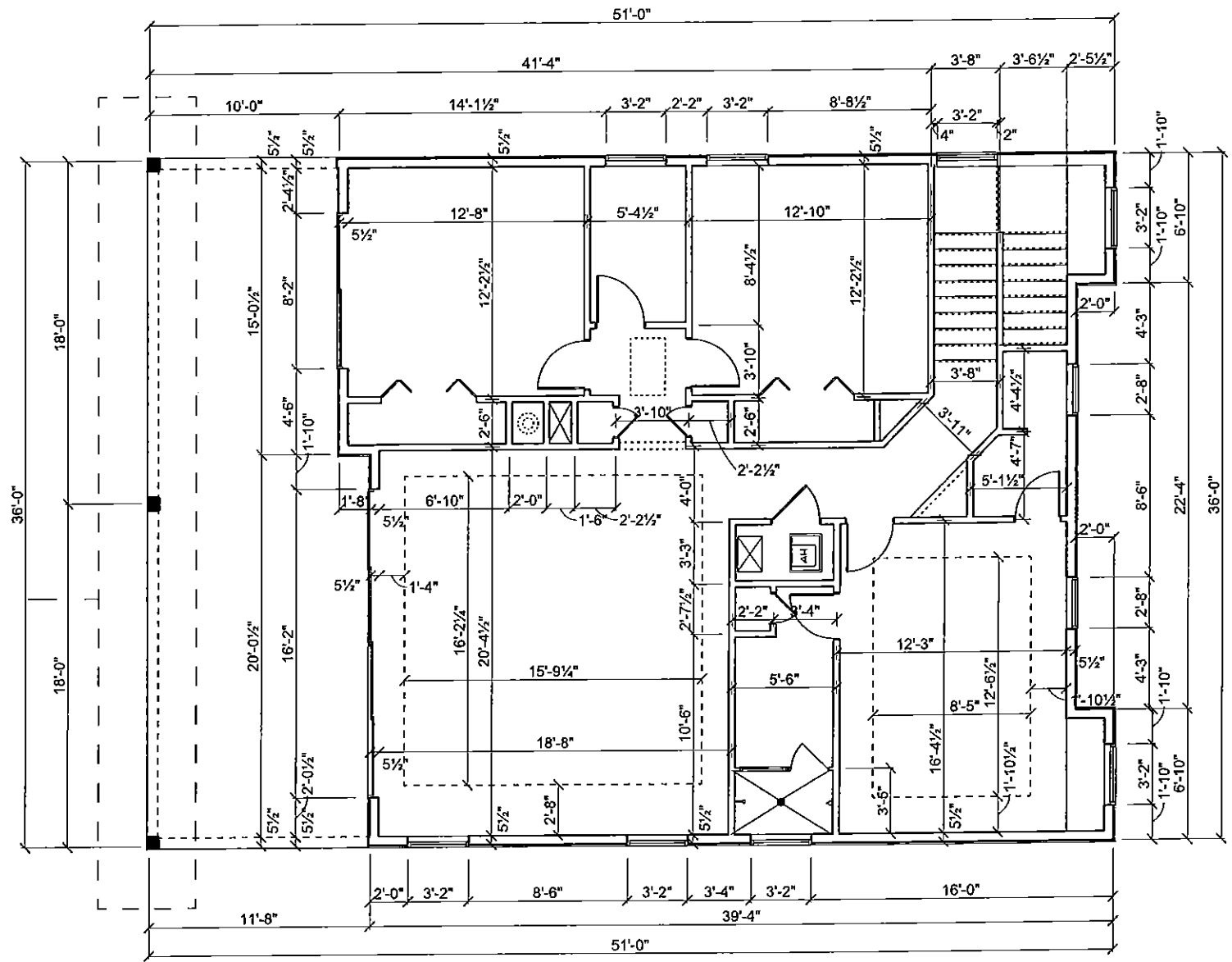
HEREBY CERTIFY THAT I HAVE PERFORMED THE ATTACHED DESIGN TO COMPLY WITH AS PER ULTIMATE WIND LOADS, EXPOSURE B AND IT'S IN COMPLIANCE WITH CHAPTER 16 OF THE 2012 FLORIDA BUILDING CODE. SIGNED: *[Signature]* RICHARD T. ALLEN, P.E. #56920

ALLEN ENGINEERING & CONSTRUCTION SERVICES
 RICH ALLEN PROFESSIONAL ENGINEER
 P.E. #56920 C.A. #9542
 NEW PORT RICHEY, FL. 34654
 727-842-6100
 richallenpe@gmail.com

3



PORCH COLUMN DETAIL
3/8" = 1'-0"



SECOND FLOOR DIMENSIONED FLOOR PLAN SCALE: 1/8" = 1'-0"

A.E.C.S. #16038

PLAN 3292

3A

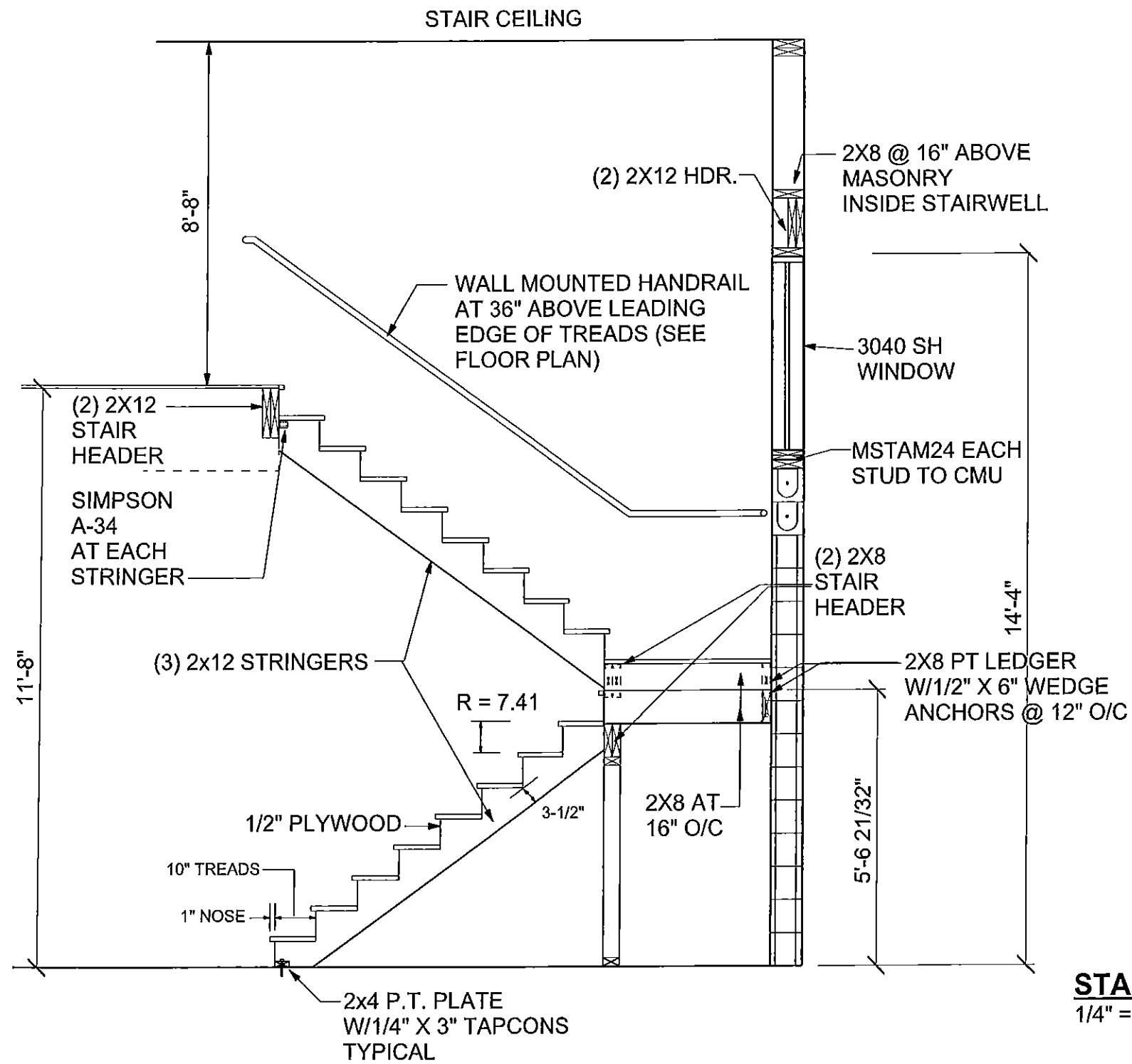
**DEEB FAMILY
HOMES, LTD.**
9400 RIVER CROSSING BLD.
NEW PORT RICHEY, FL. 34655

PLAN DATE
1. 04-19-2016
2. 04-29-2016

**LOT 17
SAFETY HARBOR**
1. PRELIMINARY PLAN ADAPTED FROM PLAN 3345
2. STRUCTURAL ENG.

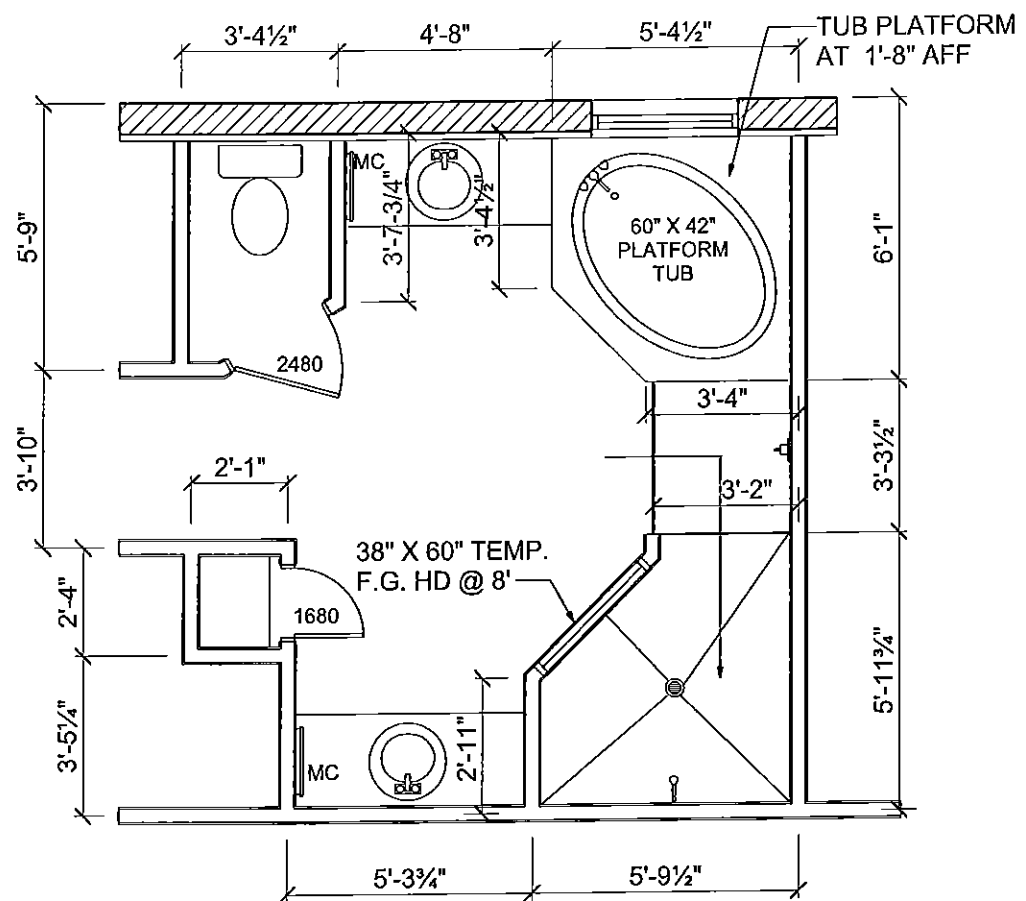
HEREBY CERTIFY THAT I HAVE
DESIGNED THIS PROJECT IN ACCORDANCE
WITH ALL APPLICABLE LOCAL, STATE
AND FEDERAL REQUIREMENTS AND THIS
DESIGN IS IN COMPLIANCE WITH CHAPTER 16 OF
THE 2014 FLORIDA BUILDING CODE.
SEAL FOR STRUCTURAL ENGINEER
SIGNATURE: *[Signature]*
RICHARD LAMPE, P.E. #16038

**ALLEN ENGINEERING &
CONSTRUCTION SERVICES**
RICH ALLEN PROFESSIONAL ENGINEER
P.E. #56920 C.A. #9542
NEW PORT RICHEY, FL. 34654
727-947-6100
richallampe@gmail.com



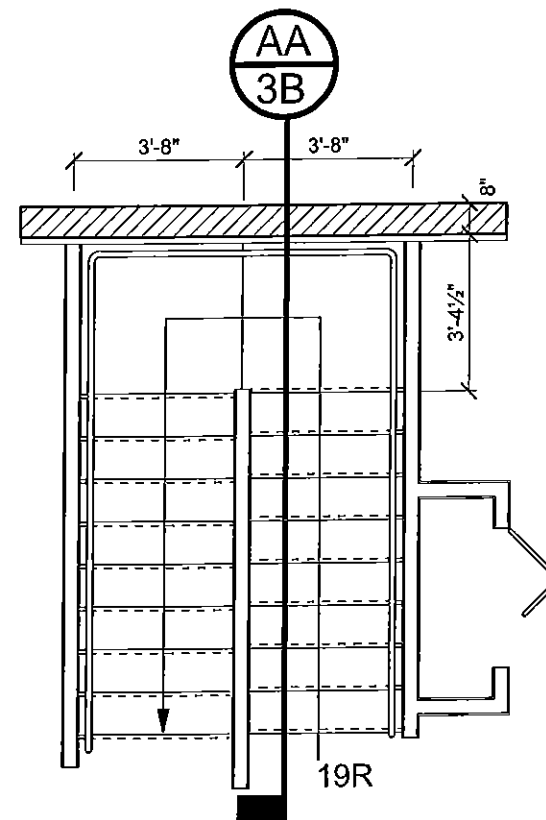
STAIR SECTION 'A-A'

3/8" = 1'-0"



MASTER BATH PLAN

1/4" = 1'-0"



STAIR PLAN

1/4" = 1'-0"

PLAN DETAILS

SCALE: PER DRAWING

A.E.C.S. #16038

PLAN 3292

3B

DEEB FAMILY HOMES, LTD.
9400 RIVER CROSSING BLD.
NEW PORT RICHEY, FL. 34655

PLAN DATE
1. 04-19-2016
2. 04-29-2016

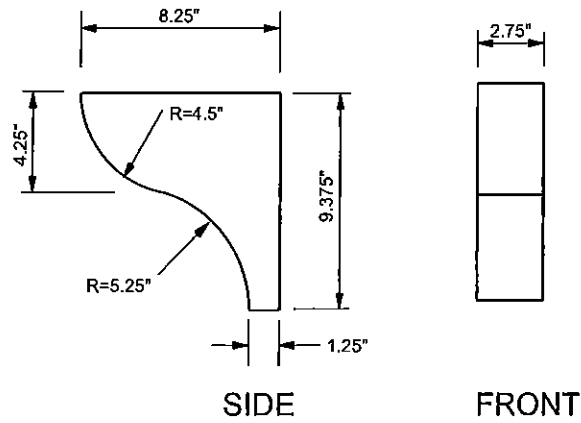
LOT 17 SAFETY HARBOR
1. PRELIMINARY PLAN ADAPTED FROM PLAN 3145
2. STRUCTURAL ENG.

I HEREBY CERTIFY THAT I HAVE PERFORMED THE ATTACHED DESIGN TO COMPLY WITH THE ULTIMATE WIND LOADS, EXPOSURE 3 AND IT IS IN CONFORMANCE WITH CHAPTER 18 OF THE FLORIDA BUILDING CODE. I AM A LICENSED PROFESSIONAL ENGINEER.
SCALE: 1/4" = 1'-0"
SIGNED: *[Signature]*
RICHARD E. ALLEN, P.E. #56920

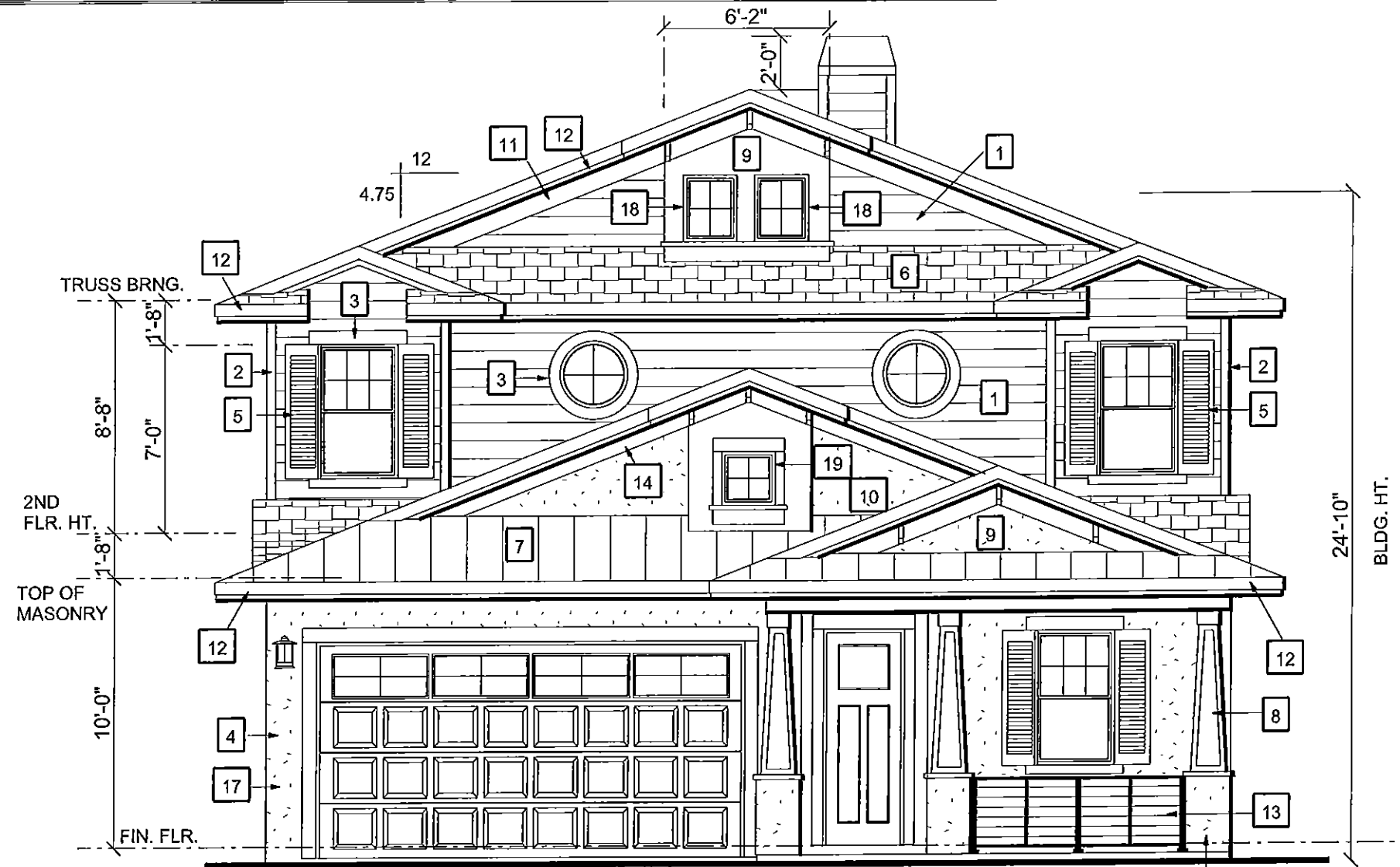
ALLEN ENGINEERING & CONSTRUCTION SERVICES
RICH ALLEN PROFESSIONAL ENGINEER
P.E. #56920 C.A. #9542
NEW PORT RICHEY, FL. 34654
727-842-6100
richallenpe@gmail.com

PLAN DATE	
1. 04-22-2016	
2. 04-29-2016	

DEEB FAMILY
HOMES, LTD.
9400 RIVER CROSSING BLD.
NEW PORT RICHEY, FL. 34655



BRACKET DETAILS



FRONT ELEVATION

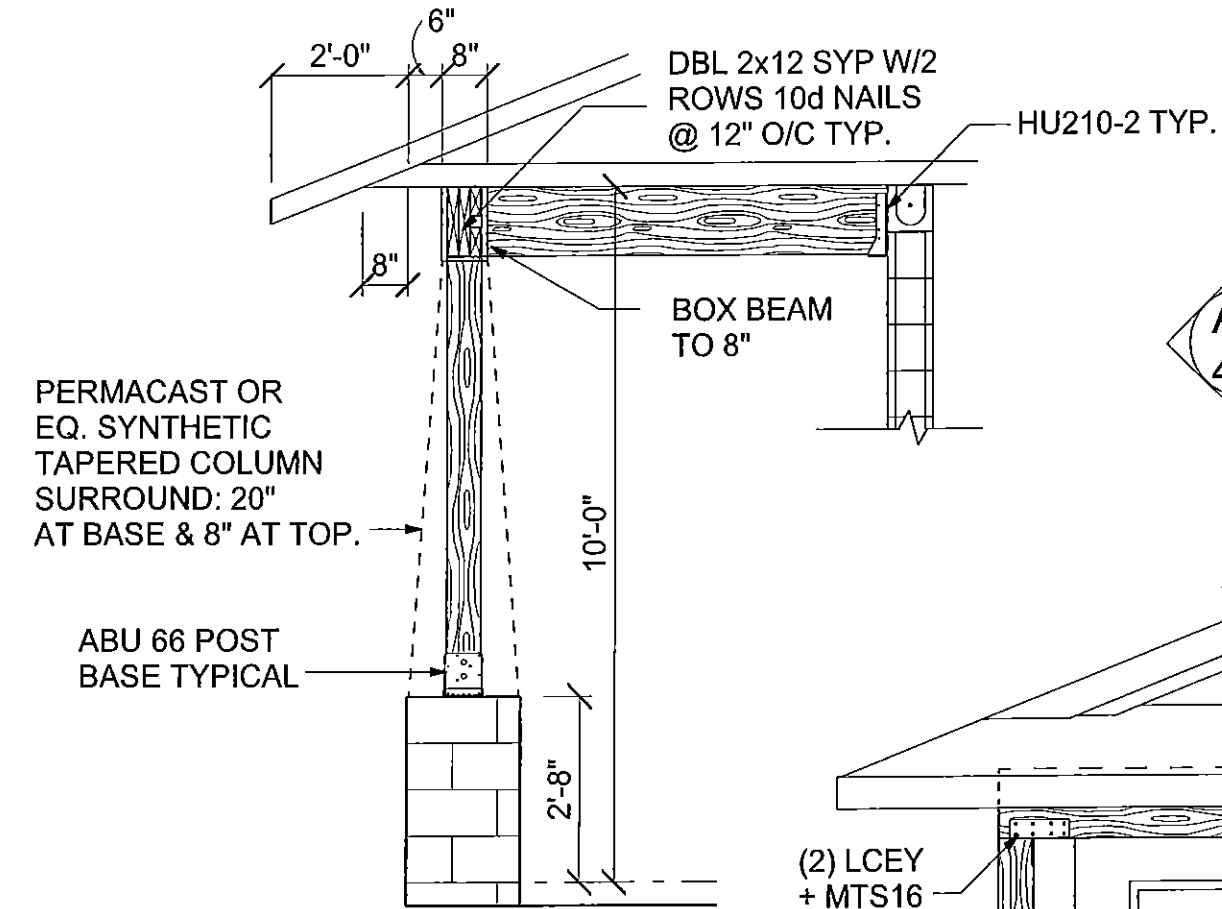
3/16" = 1'-0"



REAR ELEVATION

ELEVATION NOTES

- 1 HORIZONTAL 8" LAP CEMENT BOARD SIDING
- 2 CEMENT BOARD CORNER TRIM
- 3 4" CEMENT BOARD TRIM
- 4 5/8" STUCCO OVER CMU
- 5 16" W PLASTIC DECORATIVE WINDOW SHUTTERS
- 6 DIMENSIONAL FIBERGLASS SHINGLES
- 7 5V CRIMP GALV. METAL ROOF
- 8 TAPERED SYNTHETIC CRAFTSMAN STYLE COLUMN
- 9 DECORATIVE PLASTIC BRACKET (SEE DETAIL THIS SHEET)
- 10 7/8" STUCCO FINISH PER ASTM C-926-11a ON PAPER BACKED METAL LATH OVER TYVEK (OR EQUIVALENT) VINYL VAPOR BARRIER ON EXTERIOR WOOD SHEATHING
- 11 FRIEZE BOARD W/8" REVEAL
- 12 3-LAYER FASCIA
- 13 PRE-FAB DECO METAL PORCH RAILING
- 14 SMOOTH BANDING W/8" REVEAL
- 15 42" H METAL GUARD RAILING
- 16 2-LAYER FASCIA
- 17 6" BANDING
- 18 24" X 30" FIXED GLASS (BLACKED OUT)
- 19 24" X 24" FIXED GLASS (BLACKED OUT)

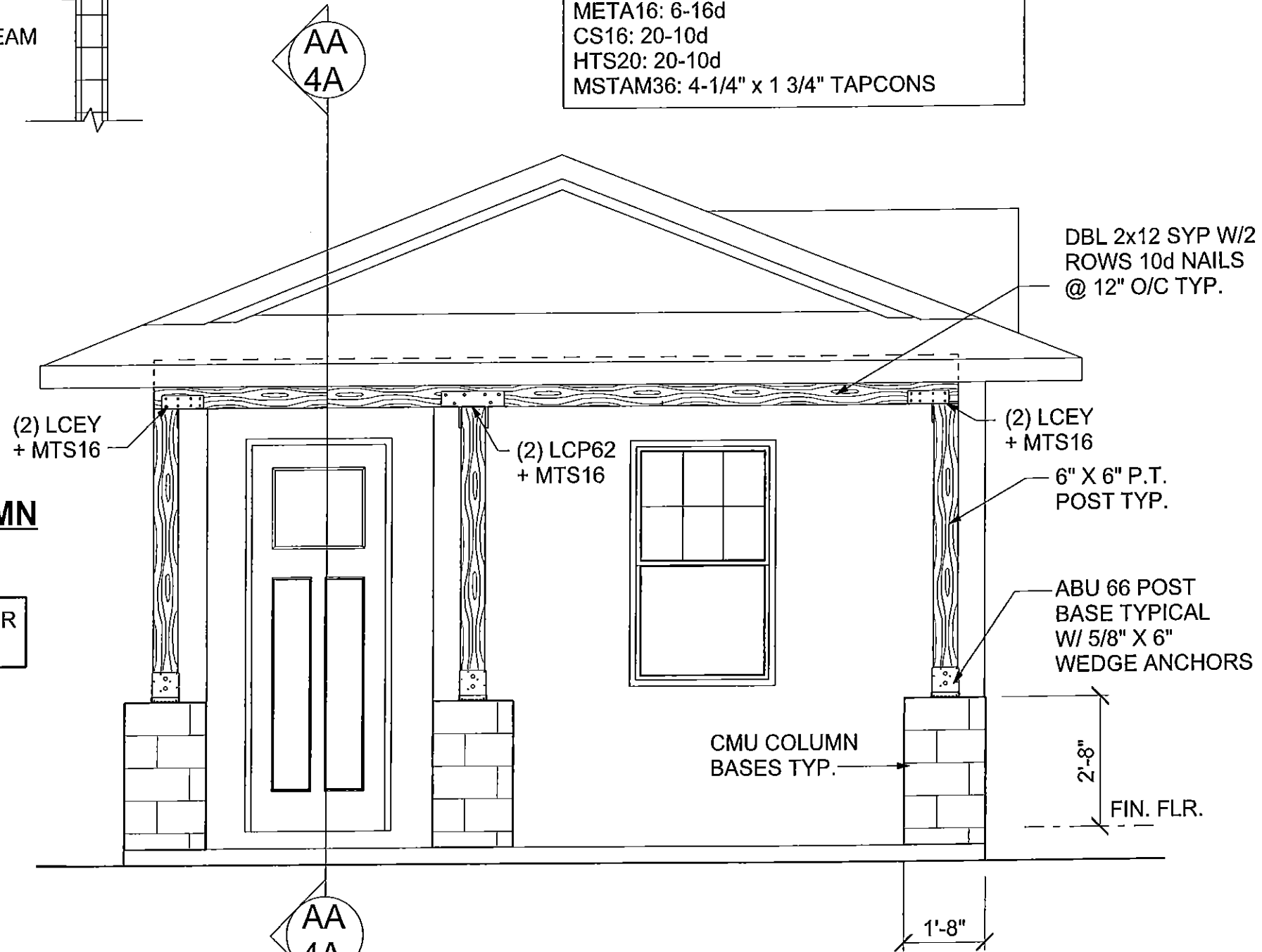


'AA/4A' SECTION AT COLUMN

NOTE: ALL NON STRUCTURAL LUMBER IS TO BE SOUTHERN PINE FIR U.N.O.

NAILING SCHEDULE

- SP1: 4- 10d TO PLATE
6 -10d TO STUD
- H10: 8-8d X 1 1/2" TO TRUSS & TOP PLATE
- H2: 5-8d
- META16: 6-16d
- CS16: 20-10d
- HTS20: 20-10d
- MSTAM36: 4-1/4" x 1 3/4" TAPCONS



PORCH COLUMN ELEVATION

PLAN 3292

A.E.C.S. #16038

SCALE: 3/8" = 1'-0"

PORCH COLUMN DETAILS

ALLEN ENGINEERING & CONSTRUCTION SERVICES
RICH ALLEN PROFESSIONAL ENGINEER
P.E. #56920 C.A. #9542
NEW PORT RICHEY, FL 34654
727-842-6100
richallenpe@gmail.com

I HEREBY CERTIFY THAT I HAVE RECORDED THESE PLANS FOR THE PROJECT AND I AM NOT PROVIDING ANY INFORMATION TO ANY OTHER PARTY WITHOUT THE WRITTEN CONSENT OF THE CLIENT. I AM NOT PROVIDING ANY INFORMATION TO ANY OTHER PARTY WITHOUT THE WRITTEN CONSENT OF THE CLIENT. I AM NOT PROVIDING ANY INFORMATION TO ANY OTHER PARTY WITHOUT THE WRITTEN CONSENT OF THE CLIENT.

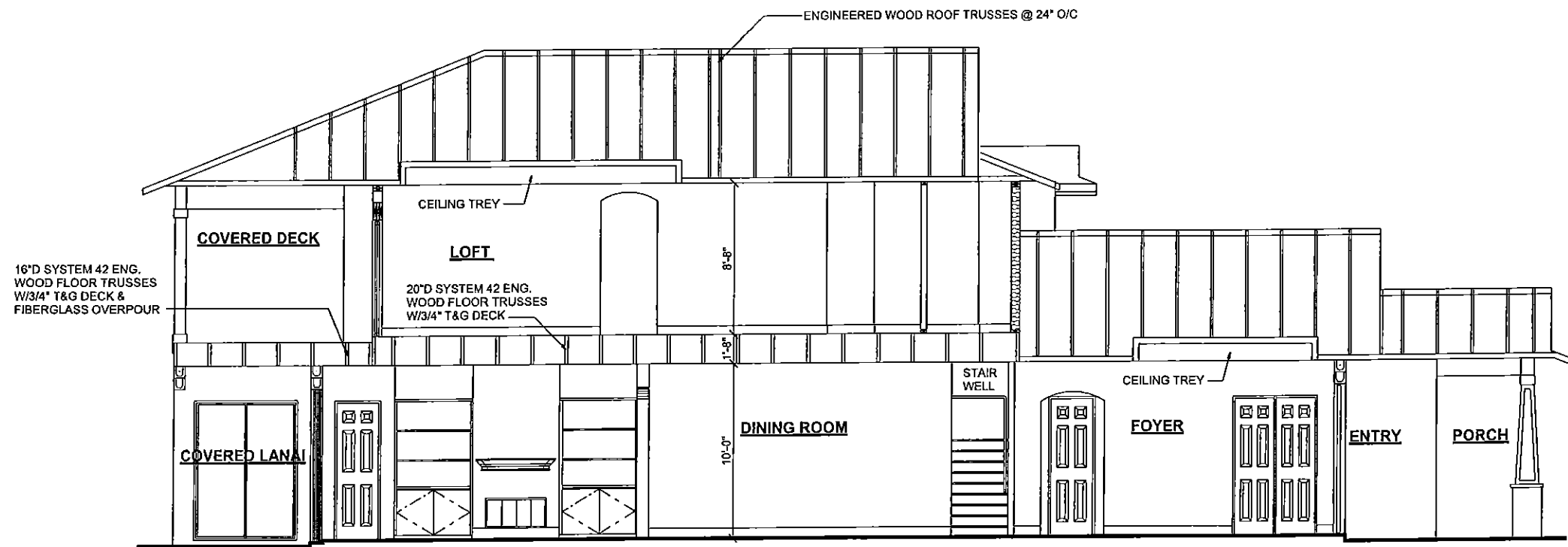
SIGNED: RICH ALLEN P.E. #56920

LOT 17
SAFETY HARBOR
PRELIMINARY PLAN ADAPTED FROM PLAN 3345
1. PRELIMINARY PLAN ADAPTED FROM PLAN 3345
2. STRUCTURAL ENG.

PLAN DATE
1. 04-19-2016
2. 04-29-2016

DEEB FAMILY HOMES, LTD.
9400 RIVER CROSSING BLD.
NEW PORT RICHEY, FL. 34655

4A



BUILDING SECTION 'A'

BUILDING SECTION

SCALE: 1/8" = 1'-0"

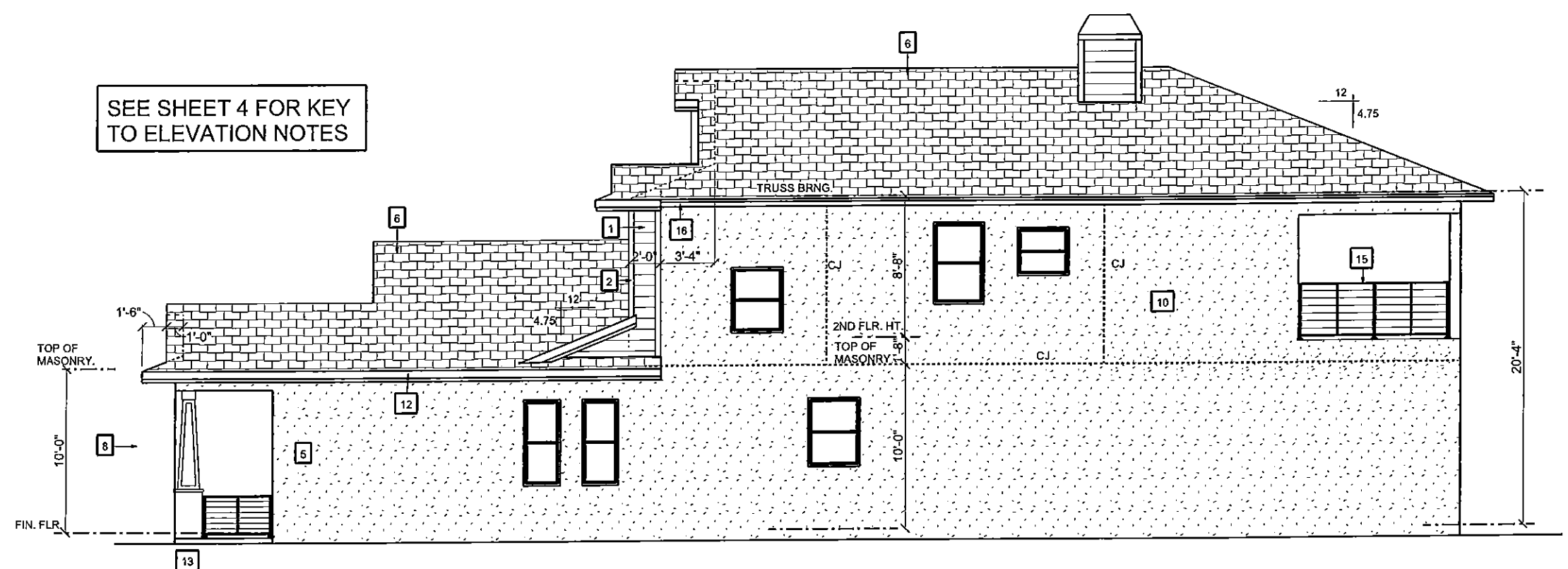
PLAN 3292

DEEB FAMILY
HOMES, LTD.
9400 RIVER CROSSING BLD.
NEW FORT RICHEY, FL. 34655

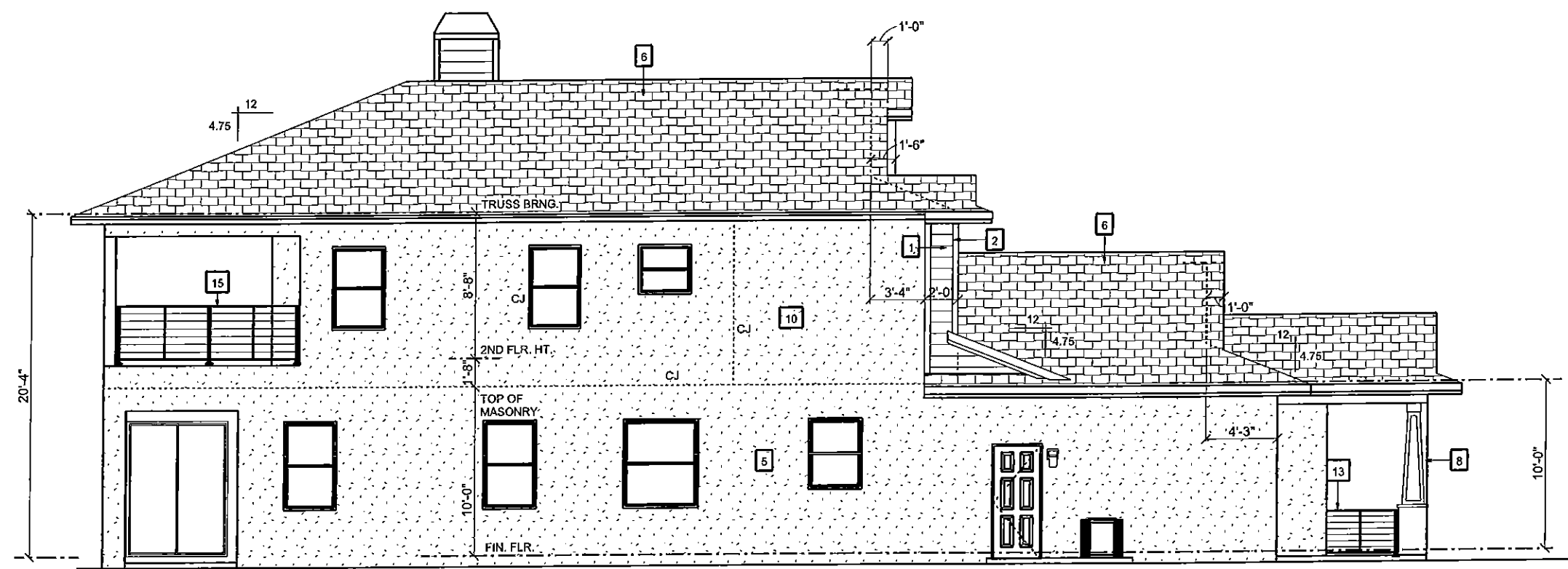
PLAN DATE
1. 04-22-2016
2. 04-29-2016

LOT 17
SAFETY HARBOR
1. PRELIMINARY PLAN ADAPTED FROM PLAN 3345
2. STRUCTURAL ENG.

4B



RIGHT ELEVATION



LEFT ELEVATION

SEE SHEET 4 FOR KEY TO ELEVATION NOTES

PLAN 3292

SCALE: 1/8" = 1'-0"

SIDE ELEVATIONS

LOT 17
SAFETY HARBOR

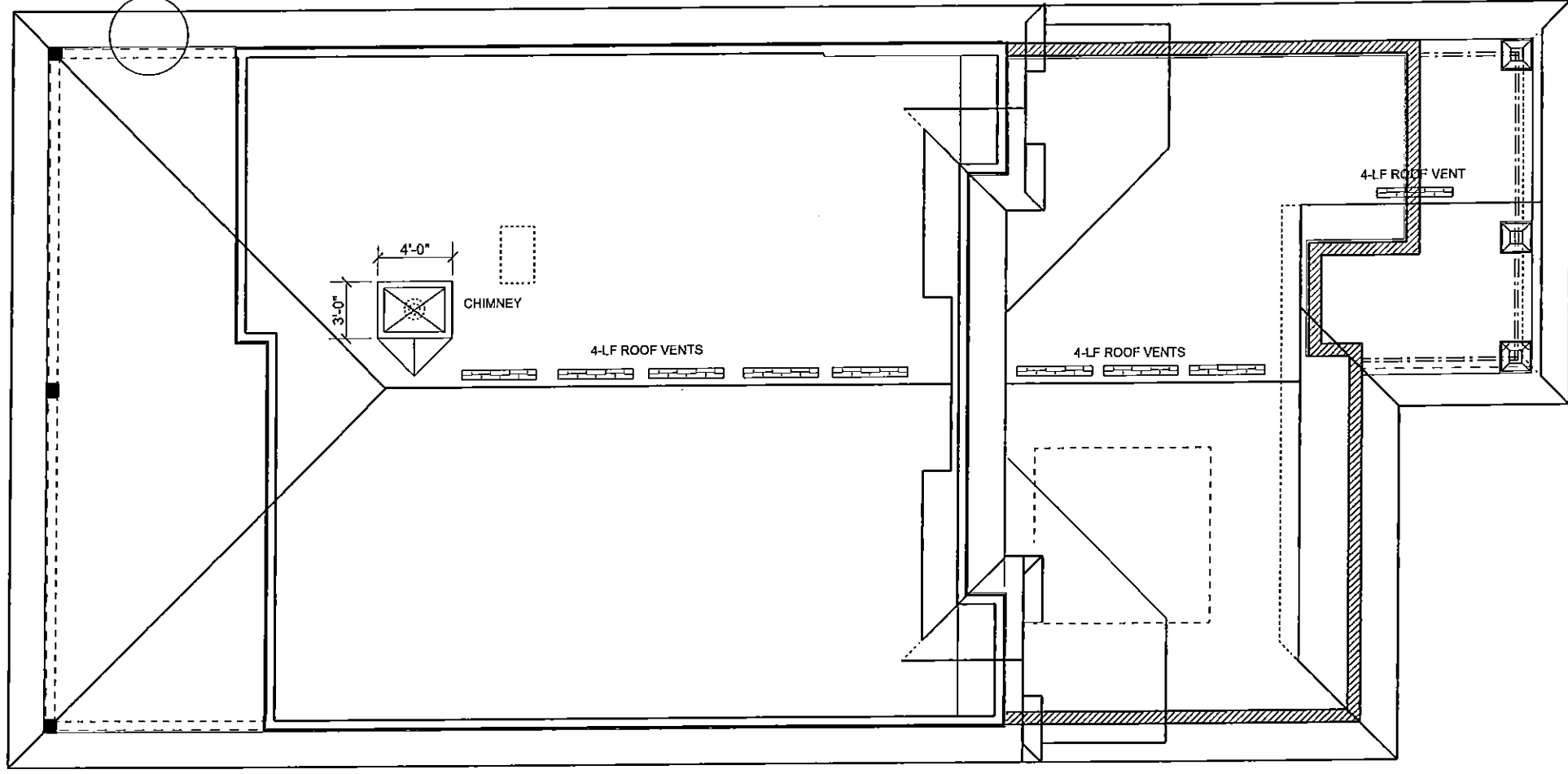
1. PRELIMINARY PLAN ADAPTED FROM PLAN 3345
2. STRUCTURAL ENG.

PLAN DATE

1. 04-22-2016
2. 04-29-2016

DEEB FAMILY
HOMES, LTD.
9400 RIVER CROSSING BLD.
NEW PORT RICHEY, FL. 34655

5

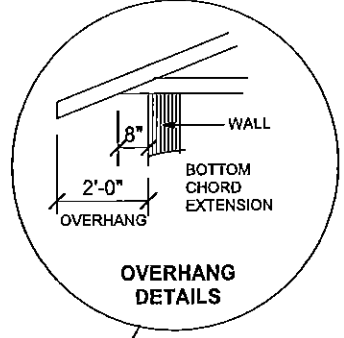


TOTAL AREA TO BE VENTILATED = 2678 S.F.
 4974/300 = 8.92 S.F OR 1285 SQUARE INCHES.

ROOF VENTS ARE RATED AT 36 SQUARE INCHES OF OPENING PER LINEAL FT.
 1285 S.I. / 36 S.I. = 36 LINEAL FEET REQUIRED.

INSTALLATION FOR THIS ROOF IS (9) - 4 FOOT VENTS,
 TOTALING 36 LINEAL FEET.

TOTAL NET FREE VENTILATING AREA SHALL NOT BE
 LESS THAN 1 TO 300 PROVIDED THAT AT LEAST 50%
 AND NOT MORE THAN 80% IS PROVIDED BY VENTILATORS
 LOCATED IN THE UPPER PORTION OF THE SPACE TO BE
 VENTILATED PER SECT. R806.2



ROOF PLAN

SCALE: 1/8" = 1'-0"

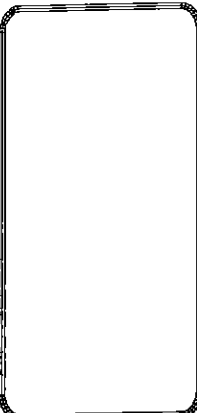
PLAN 3292

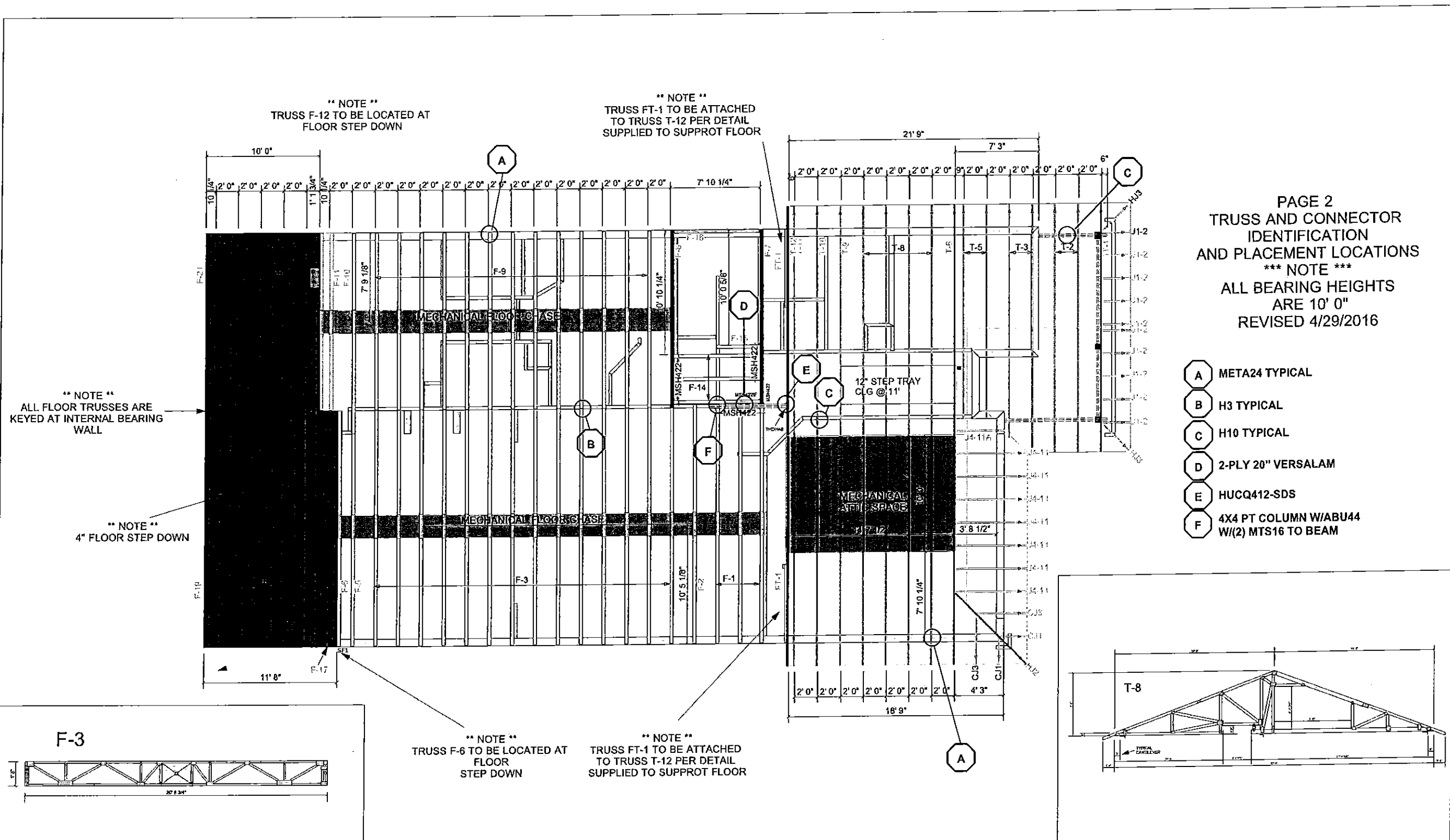
6

DEEB FAMILY
 HOMES, LTD.
 9400 RIVER CROSSING BLD.
 NEW PORT RICHEY, FL. 34655

PLAN DATE
1. 04-22-2016
2. 04-29-2016

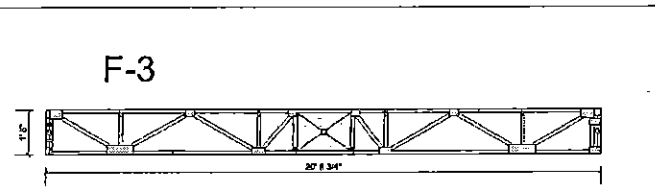
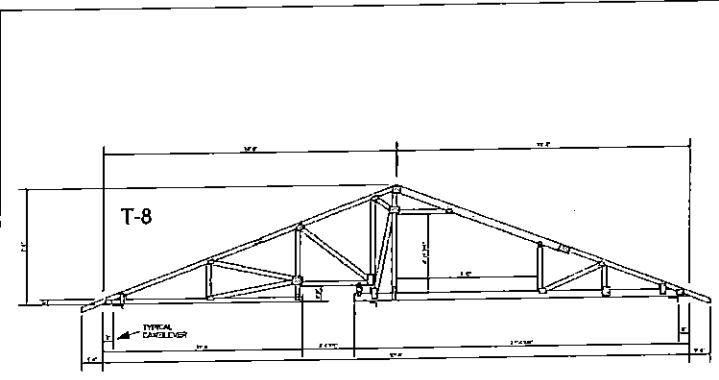
LOT 17
 SAFETY HARBOR
 1. PRELIMINARY PLAN ADAPTED FROM PLAN 3345
 2. STRUCTURAL ENG.





PAGE 2
TRUSS AND CONNECTOR
IDENTIFICATION
AND PLACEMENT LOCATIONS
*** NOTE ***
ALL BEARING HEIGHTS
ARE 10' 0"
REVISED 4/29/2016

- A** META24 TYPICAL
- B** H3 TYPICAL
- C** H10 TYPICAL
- D** 2-PLY 20" VERSALAM
- E** HUCQ412-SDS
- F** 4X4 PT COLUMN W/ABU44 W/(2) MTS16 TO BEAM



Job Name:
LOT 17 SAFETY HARBOR

Customer:
DEEB FAMILY HOMES, INC.

Site Address:
CITY, ST, ZIP
PINELLAS COUNTY, FL

Sales Rep:	JAY BALLESTAS	Job #:	16-089
Designer:	Paul Arnold	Scale:	N.T.S.
Job Location:	C:\WHITE\JOBS\16-089	Date:	4/29/2016
WIND LOADING:	145	Lot:	17
DURATION FACTOR:	1.25	Sub:	SAFETY HARBOR
TC LL:	20.00 psf	Floor Area:	1791.33 sq ft
TC DL:	7.00 psf	Roof Area:	3506.92 sq ft
BC DL:	10.00 psf		

PLAN 3292

ALLEN ENGINEERING & CONSTRUCTION SERVICES
RICH ALLEN PROFESSIONAL ENGINEER
P.E. #56920 C.A. #9542
NEW PORT RICHEY, FL 34654
727-842-6100
richallenpe@gmail.com

A.E.C.S. #16038

I HEREBY CERTIFY THAT I HAVE PERFORMED THE ATTACHED DESIGN TO COMPLY WITH 15 MPR ULTIMATE WIND LOADS, EXPOSURE B AND IT IS IN COMPLIANCE WITH CHAPTER 16 OF THE 2014 FLORIDA BUILDING CODE. SEALED FOR THE PROJECT ONLY.
RICH ALLEN P.E. #56920

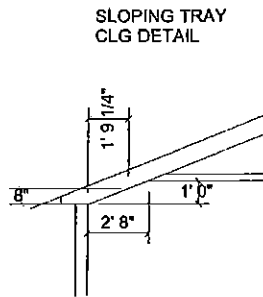
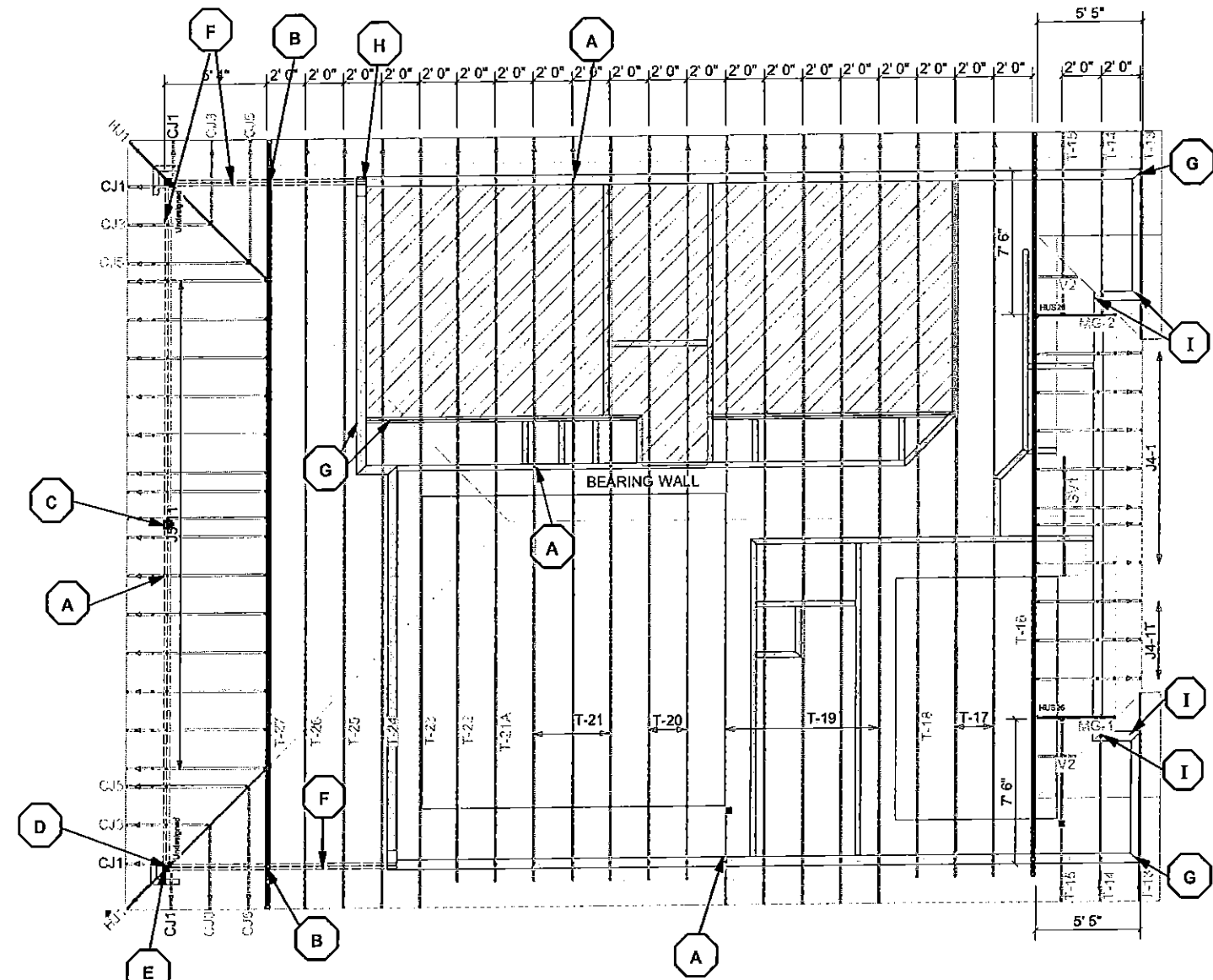
LOT 17
SAFETY HARBOR
1. PRELIMINARY PLAN ADAPTED FROM PLAN 3345
2. STRUCTURAL ENG.

PLAN DATE	
1. 04-19-2016	
2. 04-29-2016	

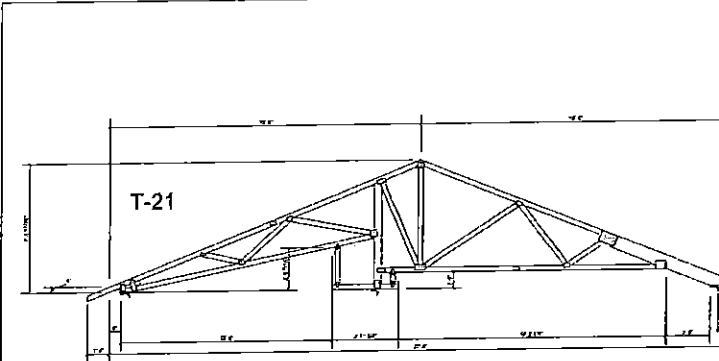
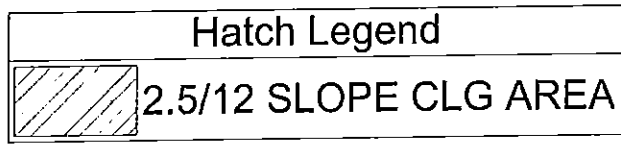
DEEB FAMILY HOMES, LTD.
9400 RIVER CROSSING BLD.
NEW PORT RICHEY, FL. 34655

TRUSS PLAN

6A



PAGE 4
 TRUSS PLACEMENT PLAN
 *** NOTE ***
 ALL BEARING HEIGHTS
 ARE 8' 8"
 REVISED 4/29/2016



- A** H10 TYP.
- B** LGT2
- C** 6x6 P.T. COLUMN W(2) HTS16
- D** WRAP BEAM & COLUMNS W(2) LS16 TYP.
- E** 6x6 P.T. COLUMN W(2) ACE4 & (2) HTS16 TYP.
- F** 2-PLY 12" VERSALAM W/2 ROWS 10d @ 12" O/C
- G** 5-STUD CORNER COLUMN W(3) MSTAM36 TO CMU
- H** POCKET FRAME 5-STUD CORNER COLUMN W(3) JACKS FOR BEAM + (2) KINGS W(2) MSTCM40 TO CMU W(3) CS16 TO BEAM
- I** 5-STUD CORNER COLUMN W(2) CS16 TO FLOOR TRUSS BELOW

Job Name:	LOT 17 SAFTEY HARBOR	Sales Rep:	JAY BALLESTAS	Job #:	16-089
Customer:	DEEB FAMILY HOMES, INC.	Designer:	Paul Arnold	Scale:	N.T.S.
Site Address:	PINELLAS COUNTY, FL	Job Location:	C:\MITEK\JOBS\16-089	Date:	4/29/2016
		WIND LOADING:	145	Lot:	17
		DURATION FACTOR:	1.25	Sub:	SAFTEY HARBOR
		TC LL:	20.00 psf	Floor Area:	1781.33 sq ft
		TC DL:	7.00 psf	Roof Area:	3491.68 sq ft
		BC DL:	10.00 psf		

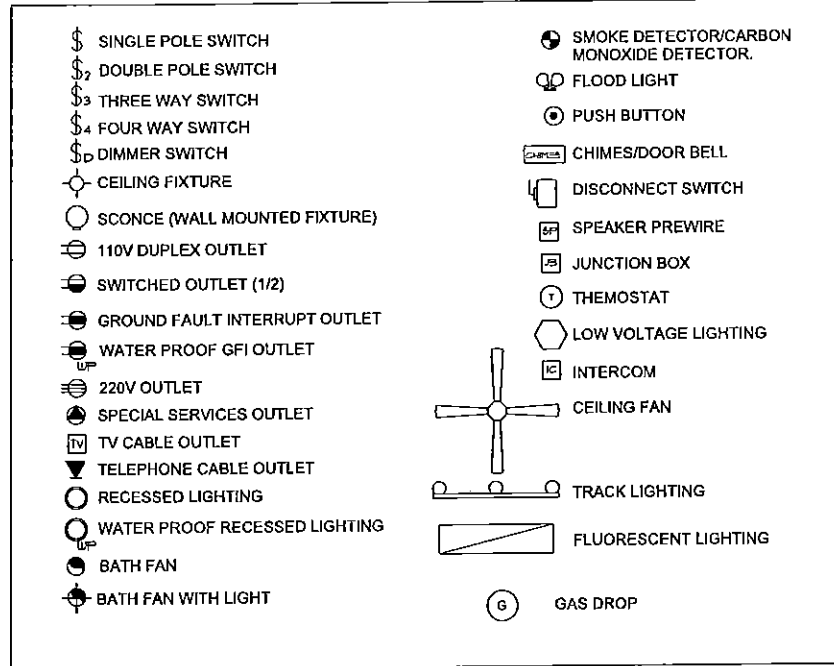
PLAN 3292
 A.E.C.S. #16038
 2ND FLR TRUSS PLAN
 DEEB FAMILY HOMES, LTD.
 9400 RIVER CROSSING BLD.
 NEW PORT RICHEY, FL. 34655
6B

ALLEN ENGINEERING & CONSTRUCTION SERVICES
 RICH ALLEN PROFESSIONAL ENGINEER
 P.E. #56920 C.A. #9542
 NEW PORT RICHEY, FL. 34654
 727-842-6100
 richallenpe@gmail.com

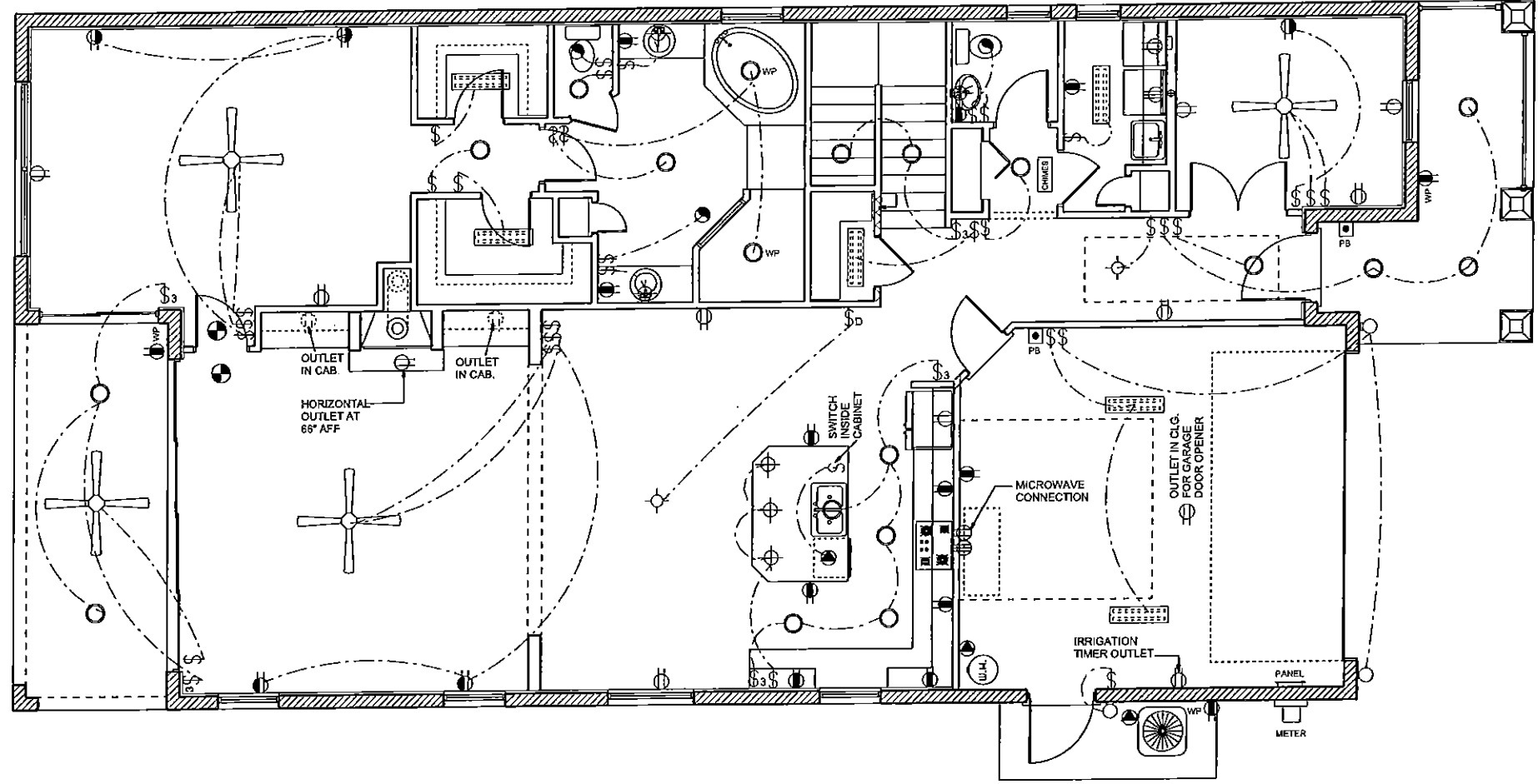
I HEREBY CERTIFY THAT I HAVE REVIEWED THIS PLAN AND I AGREE TO COMPLY WITH ALL APPLICABLE WIND LOADS, EXPOSURE B AND IT IS IN COMPLIANCE WITH CHAPTER 16 OF THE 2014 FLORIDA BUILDING CODE. SCALED PER THE TRUSS MANUFACTURER'S SPECIFICATIONS.
 SIGNATURE: [Signature] RICHARD E. ALLEN, P.E. #56920

LOT 17 SAFETY HARBOR
 PRELIMINARY PLAN ADAPTED FROM PLAN 3345
 1. STRUCTURAL ENG.

PLAN DATE
 1. 04-19-2016
 2. 04-29-2016



- UNLESS OTHERWISE NOTED:
1. ELECTRICAL OUTLET HEIGHTS MEASURED FROM FINISH FLOOR TO CENTERLINE OF THE BOX TO BE 12" A.F.F. (GENERAL)
 2. ALL TRIM PLATES AND DEVICES TO BE GANGED WHERE POSSIBLE
 3. ELECTRICAL SWITCHES TO BE AT 42" CENTERLINE A.F.F.
 4. ELECTRICAL PLAN INTENDED FOR BID PURPOSES ONLY. ALL WORK SHALL BE DONE IN STRICT ACCORDANCE WITH THE NATIONAL ELECTRICAL CODE, LATEST EDITION BY A LICENSED ELECTRICAL CONTRACTOR WHO SHALL BE RESPONSIBLE FOR THE INSTALLATION AND SIZING OF ALL ELECTRICAL WIRING AND ACCESSORIES.
 5. SMOKE DETECTORS SHALL BE IN ACCORDANCE WITH 2014 FLORIDA RESIDENTIAL CODE, SECTION 314, AND WITH UL 317 AND NFPA 772.
 6. PROVIDE ARC FAULT INTERRUPTERS PER 2008 NEC. 210.12
 7. ALL RECEPTACLES TO BE TAMPER PROOF PER NEC. SECT. 406.11
- KITCHEN: 42"
 BATHROOM: 42"
 LAUNDRY: 36" WASHER/24" DRYER/
 WALL OUTLETS @ 45"
 EXTERIOR: WATERPROOF @ 12"
 GARAGE: GFI @ 45"
 RANGE: 220V @ 4"



ELECTRICAL PLAN

SCALE: 1/8" = 1'-0"

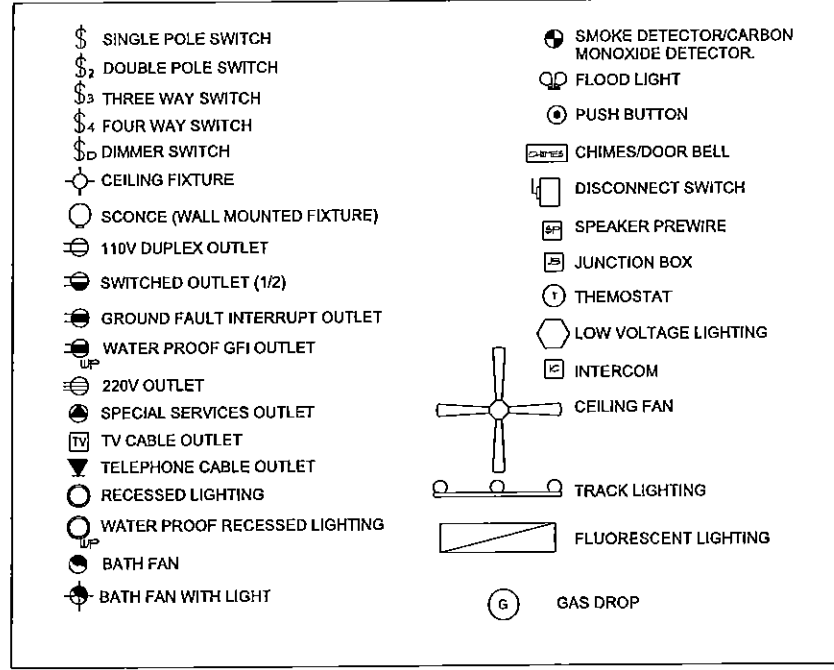
PLAN 3292

7

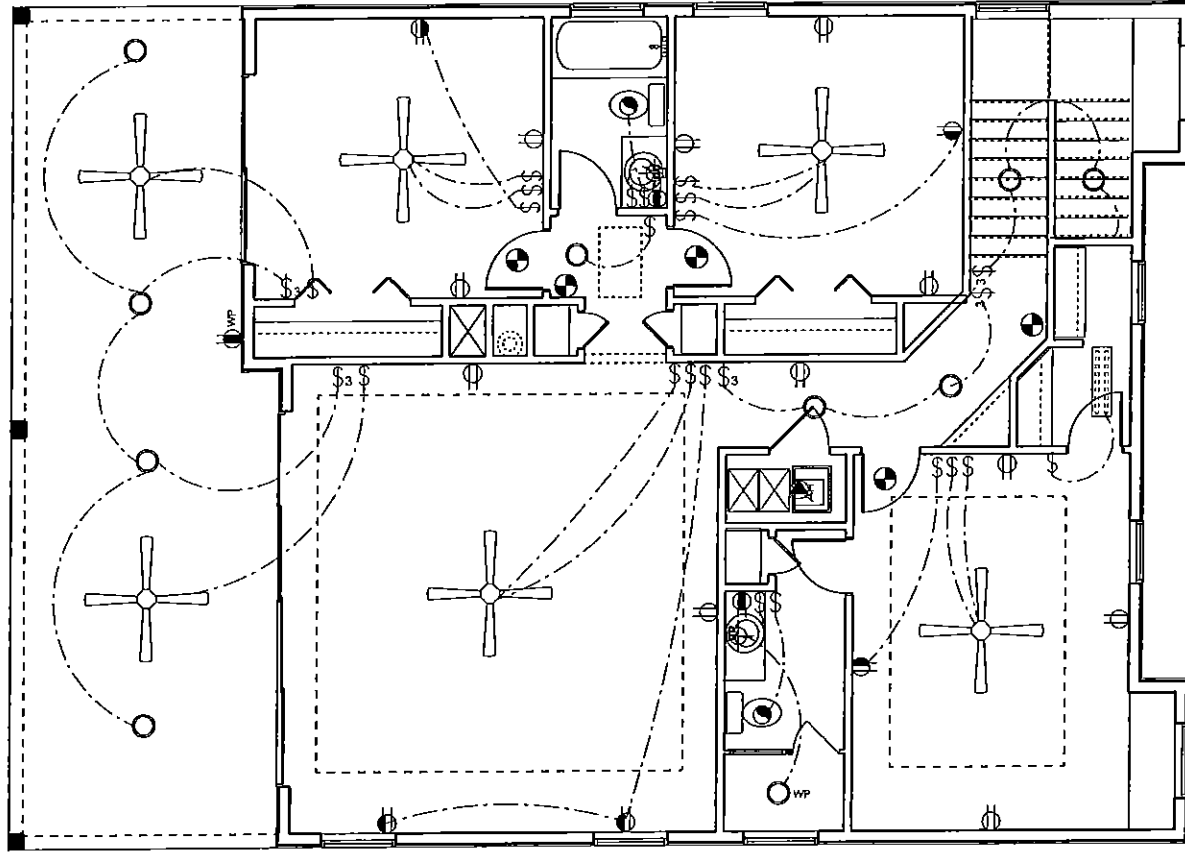
DEEB FAMILY HOMES, LTD.
 9400 RIVER CROSSING BLD.
 NEW PORT RICHEY, FL. 34655

PLAN DATE
1. 04-22-2016
2. 04-29-2016

LOT 17
 SAFETY HARBOR
 1. PRELIMINARY PLAN ADAPTED FROM PLAN 3345
 2. STRUCTURAL ENG.



- UNLESS OTHERWISE NOTED:
1. ELECTRICAL OUTLET HEIGHTS MEASURED FROM FINISH FLOOR TO CENTERLINE OF THE BOX TO BE 12" A.F.F. (GENERAL)
 2. ALL TRIM PLATES AND DEVICES TO BE GANGED WHERE POSSIBLE
 3. ELECTRICAL SWITCHES TO BE AT 42" CENTERLINE A.F.F
 4. ELECTRICAL PLAN INTENDED FOR BID PURPOSES ONLY. ALL WORK SHALL BE DONE IN STRICT ACCORDANCE WITH THE NATIONAL ELECTRICAL CODE, LATEST EDITION BY A LICENSED ELECTRICAL CONTRACTOR WHO SHALL BE RESPONSIBLE FOR THE INSTALLATION AND SIZING OF ALL ELECTRICAL WIRING AND ACCESSORIES.
 5. SMOKE DETECTORS SHALL BE IN ACCORDANCE WITH 2014 FLORIDA RESIDENTIAL CODE, SECTION 314, AND WITH UL 317 AND NFPA 772.
 6. PROVIDE ARC FAULT INTERRUPTERS PER 2008 NEC. 210.12
 7. ALL RECEPTACLES TO BE TAMPER PROOF PER NEC. SECT. 406.11
- KITCHEN: 42"
 BATHROOM: 42"
 LAUNDRY: 36" WASHER/24" DRYER/
 WALL OUTLETS @ 45"
 EXTERIOR: WATERPROOF @ 12"
 GARAGE: GFI @ 45"
 RANGE: 220V @ 4"



2ND FLR. ELECTRICAL PLAN

SCALE: 1/8" = 1'-0"

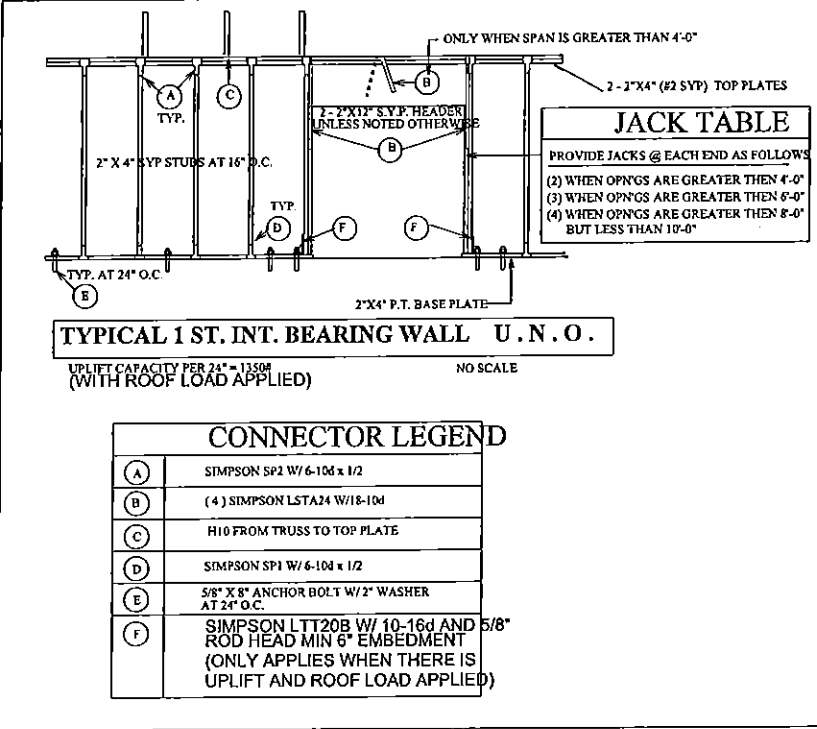
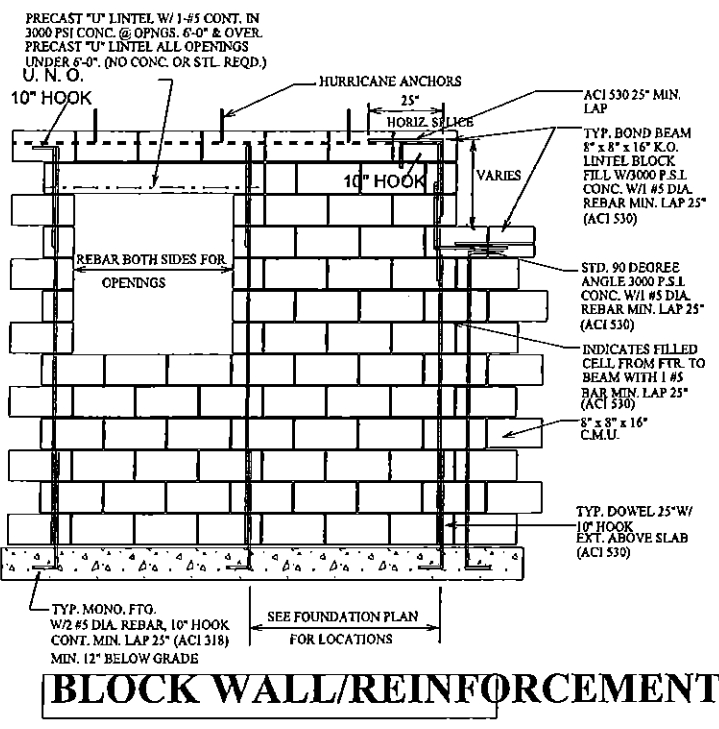
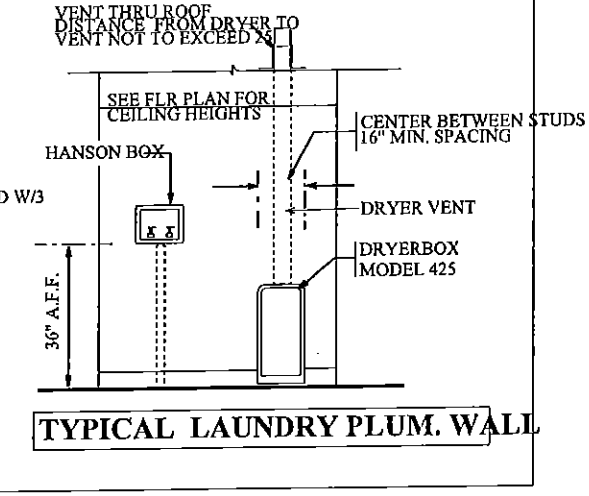
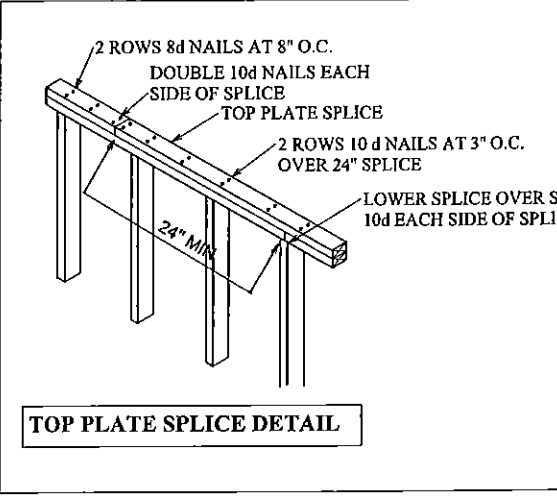
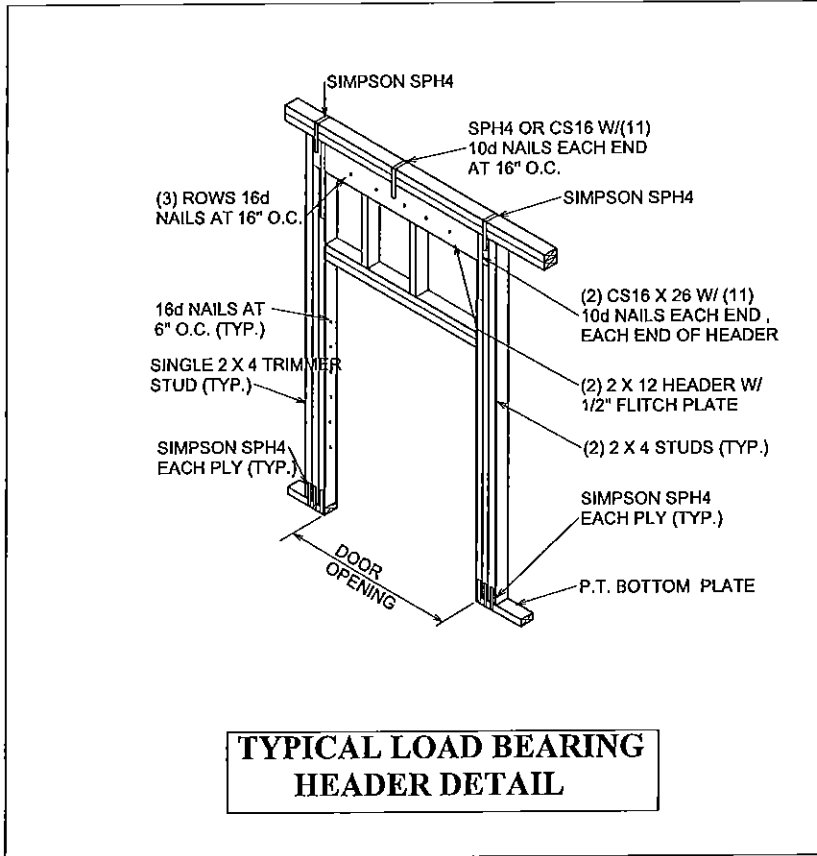
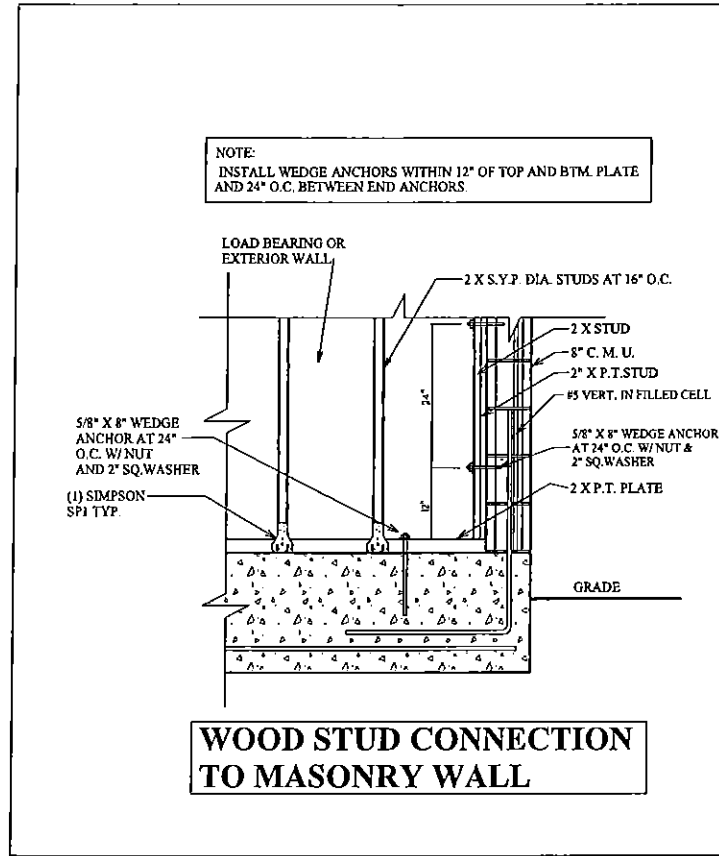
PLAN 3292

DEEB FAMILY
 HOMES, LTD.
 9400 RIVER CROSSING BLD.
 NEW FORT RICHEY, FL. 34655

PLAN DATE
1. 04-22-2016
2. 04-29-2016

LOT 17
 SAFETY HARBOR
 1. PRELIMINARY PLAN ADAPTED FROM PLAN 3345
 2. STRUCTURAL ENG.

7A



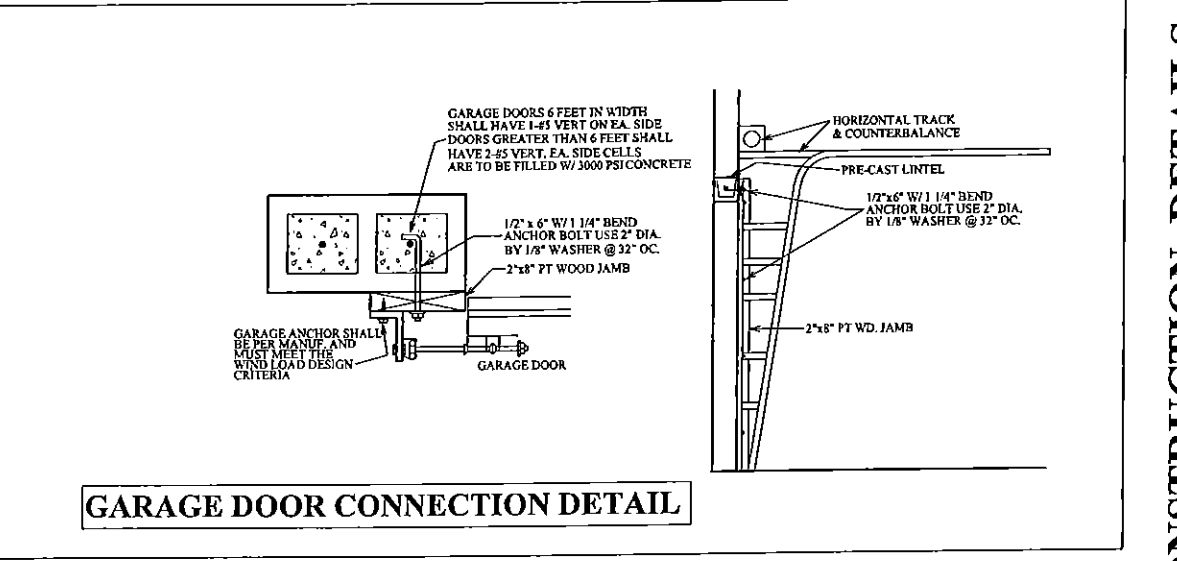
WALLS AND INTERIOR PARTITIONS, WOOD-FRAMED

GA FILE NO. WP 3641	GENERIC	1 HOUR FIRE
---------------------	---------	-------------

GYPSON WALLBOARD, WOOD STUDS

Base layer 5/8" type X gypsum wallboard or gypsum veneer base applied parallel or at right angles to each side of either 2 x 3 or 2 x 4 wood studs, turned flatwise, 24" o.c. with 6d cement-coated nails, 1 7/8" long, 0.0915" shank, 1/4" heads, 7" o.c. Face layer 5/8" type X gypsum wallboard or gypsum veneer base applied parallel or at right angles to each side with 8d cement-coated nails, 2 3/8" long, 0.113" shank, 9/32" heads, 8" o.c. (LOAD-BEARING)

Thickness: 4 1/8"
Approx. Weight: 12 psf
Fire Test: UL, 9-12-96, UL Design U338



CONSTRUCTION DETAILS

PLAN 3292

ALLEN ENGINEERING & CONSTRUCTION SERVICES
RICH ALLEN PROFESSIONAL ENGINEER
P.E. # 69920 C.A. # 9542
8809 SKYMASTER DR.
NEW PORT RICHEY, FL. 34654
727-842-6100
richallenpe@gmail.com

A.E.C.S. 16038

HEREBY CERTIFY THAT I HAVE PERFORMED THE ATTACHED DESIGN TO COMPLY WITH ALL APPLICABLE WIND LOADS AND IT IS IN COMPLIANCE WITH SECT. 301 OF THE 2004 FLORIDA RESIDENTIAL BUILDING CODE

SEALED FOR THE ARCHITECT ON: 5/2/16

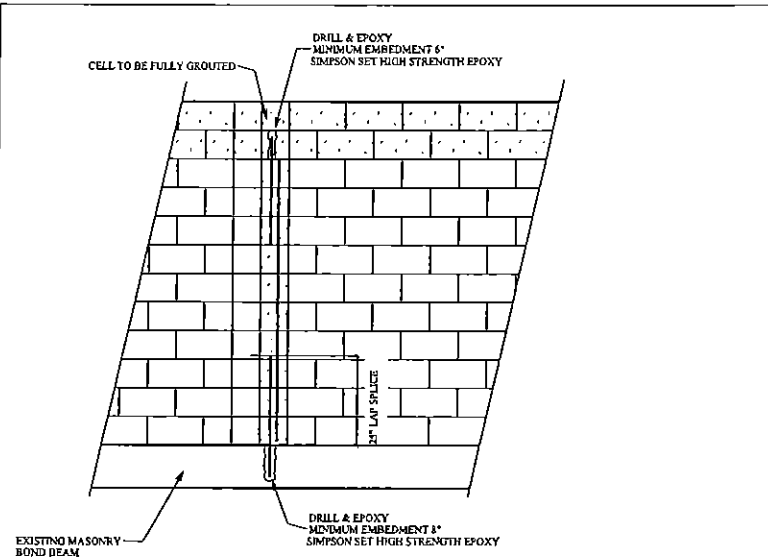
SIGNED: RICH ALLEN P.E. #69920

INVENTORY PROJECT
354 HAMILTON AVE.
SAFETY HARBOR, FL.

PLAN DATE	4-29-2016
-----------	-----------

DEEB FAMILY HOMES, LTD.
9400 RIVER CROSSING BLD.
NEW PORT RICHEY, FL. 34655
727-376-6831



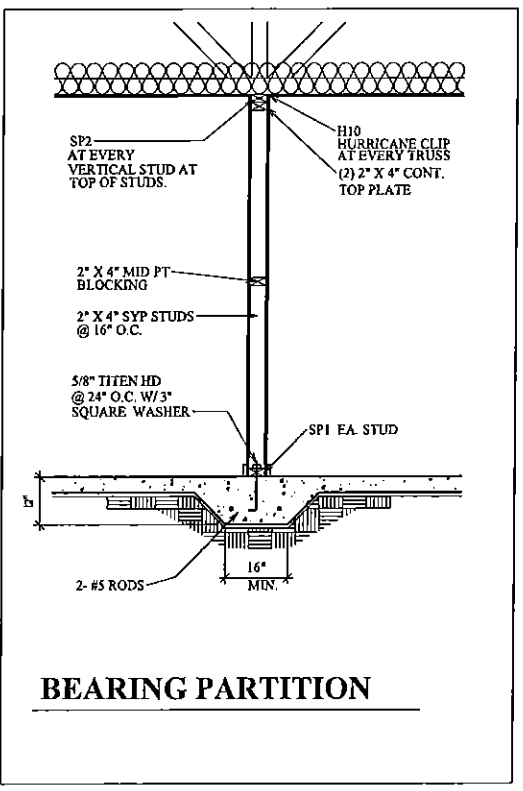


TYP. RETROFIT VERT. DOWEL CONDITION

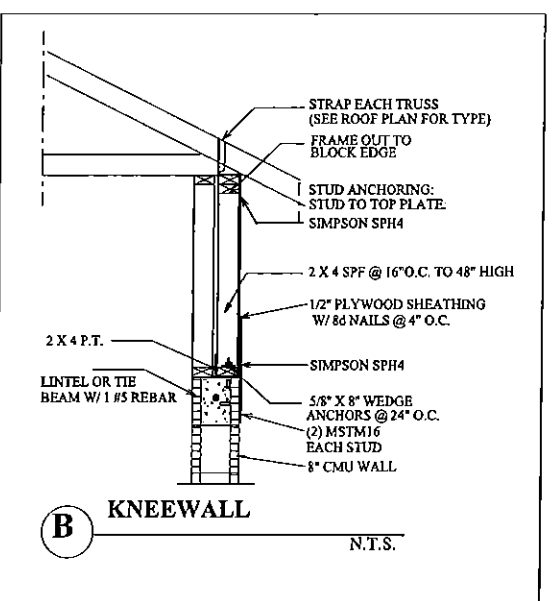
NOTE: MISSING DOWELS: WHERE FOOTING DOWELS ARE PLACED INCORRECTLY OR MISTAKENLY ELIMINATED, REPLACE DOWEL AT PROPER LOCATION W/ GRADE 40 #5 BAR. INSTALL IN SLAB W/ 8" MINIMUM EMBEDMENT, USE EPOXY GROUT.

MISSING ANCHOR BOLTS AT BEARING WALL:

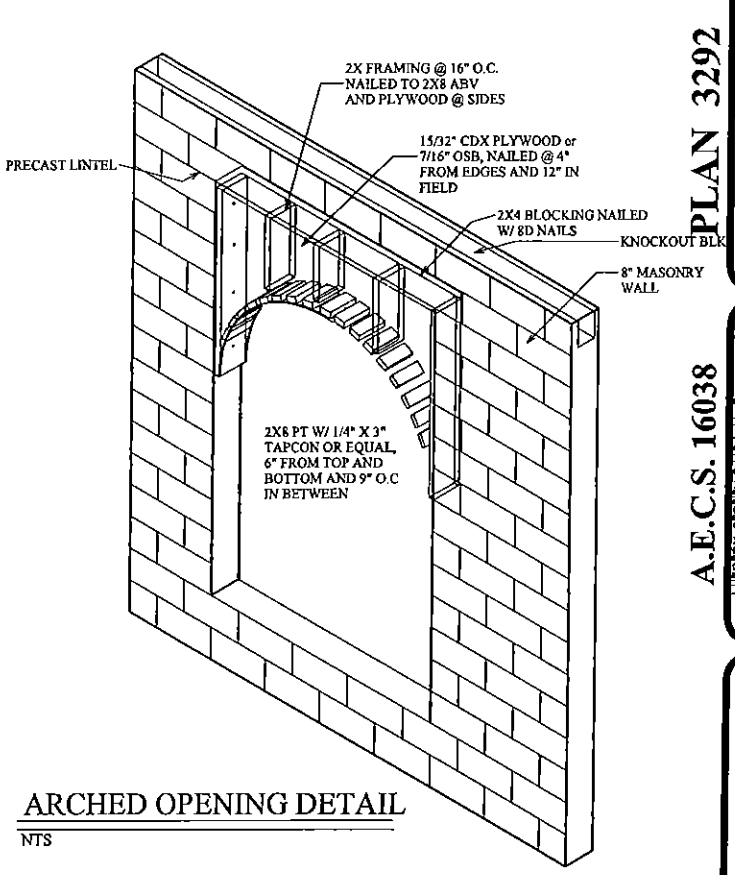
- EXTERIOR BEARING WALL:
IN ADDITION TO THE GENERAL PLACEMENT REQUIREMENTS:
- 1) 5/8" DIAMETER x 6" EMBEDMENT SIMPSON TITEN HD ANCHORS SPACED A MAXIMUM OF 24" O.C.
- INTERIOR BEARING WALL:
IN ADDITION TO THE GENERAL PLACEMENT REQUIREMENTS:
- 1) 5/8" DIAMETER x 6" EMBEDMENT SIMPSON TITEN HD ANCHORS SPACED A MAXIMUM OF 24" O.C. IF RESISTING UPLIFT LOADS OR 3 1/2" EMBEDMENT AT 48" O.C. IF RESISTING GRAVITY LOADS



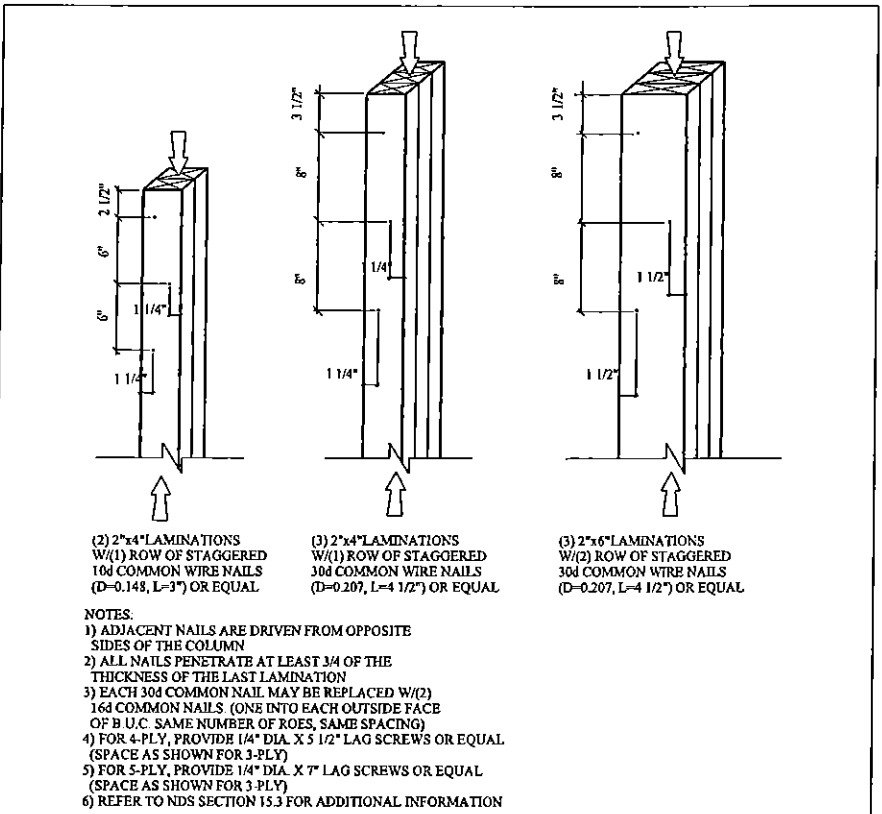
BEARING PARTITION



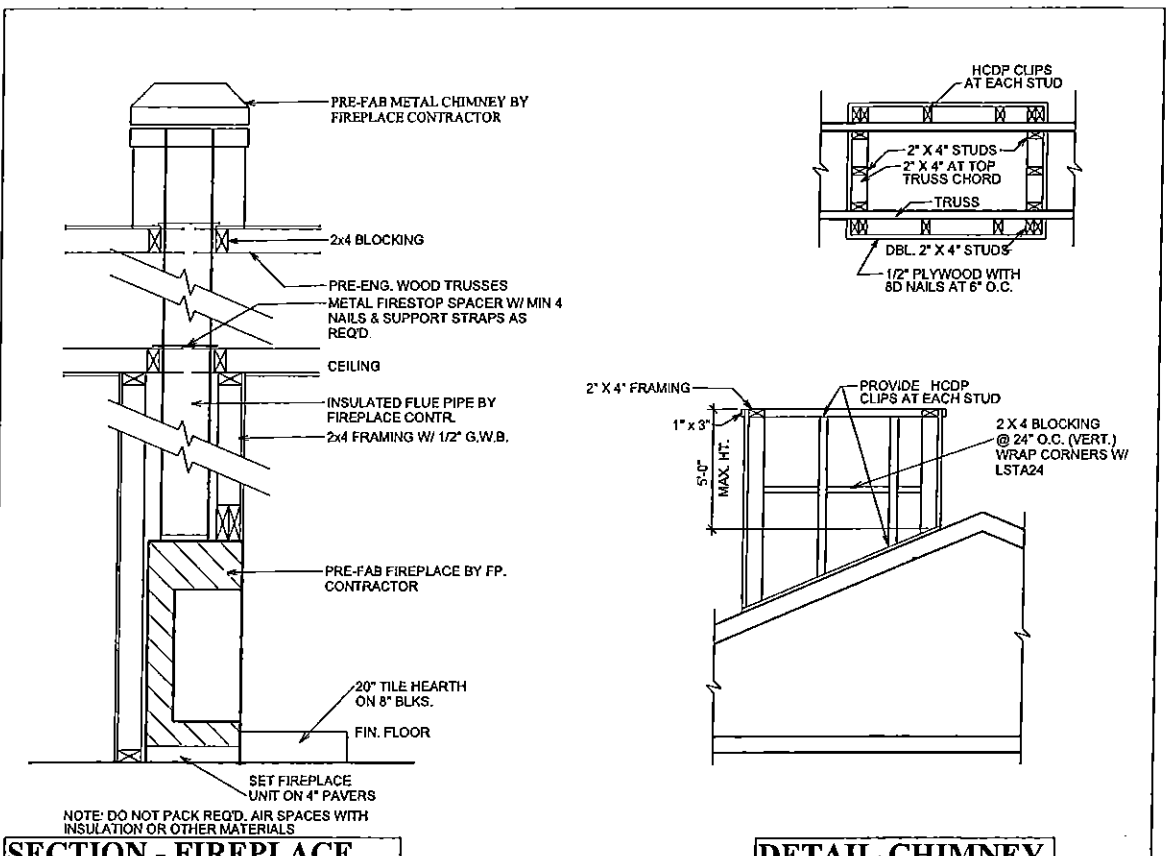
B KNEEWALL
N.T.S.



ARCHED OPENING DETAIL
NTS



TYP. NAILING SCHEDULE FOR BUILT-UP COLUMNS



SECTION - FIREPLACE
NTS

DETAIL-CHIMNEY

CONST. DETAILS

PLAN 3292
ALLEN ENGINEERING & CONSTRUCTION SERVICES
RICH ALLEN PROFESSIONAL ENGINEER
P.E. # 56920 C.A.# 9542
8809 SKYMASTER DR.
NEW PORT RICHEY, FL. 34654
727-842-6100
richallenpe@gmail.com

A.E.C.S. 16038
I HEREBY CERTIFY THAT I HAVE PERFORMED THE ATTACHED DESIGN TO COMPLY WITH THE FLORIDA WIND LOADS AND IT IS IN COMPLIANCE WITH SECTION 301 OF THE 2014 FLORIDA RESIDENTIAL BUILDING CODE SEALED FOR PROFESSIONAL USE ONLY
SIGNED: *[Signature]*
RICHARD E. ALLEN P.E. #56920

INVENTORY PROJECT
354 HAMILTON AVE.
SAFETY HARBOR, FL.

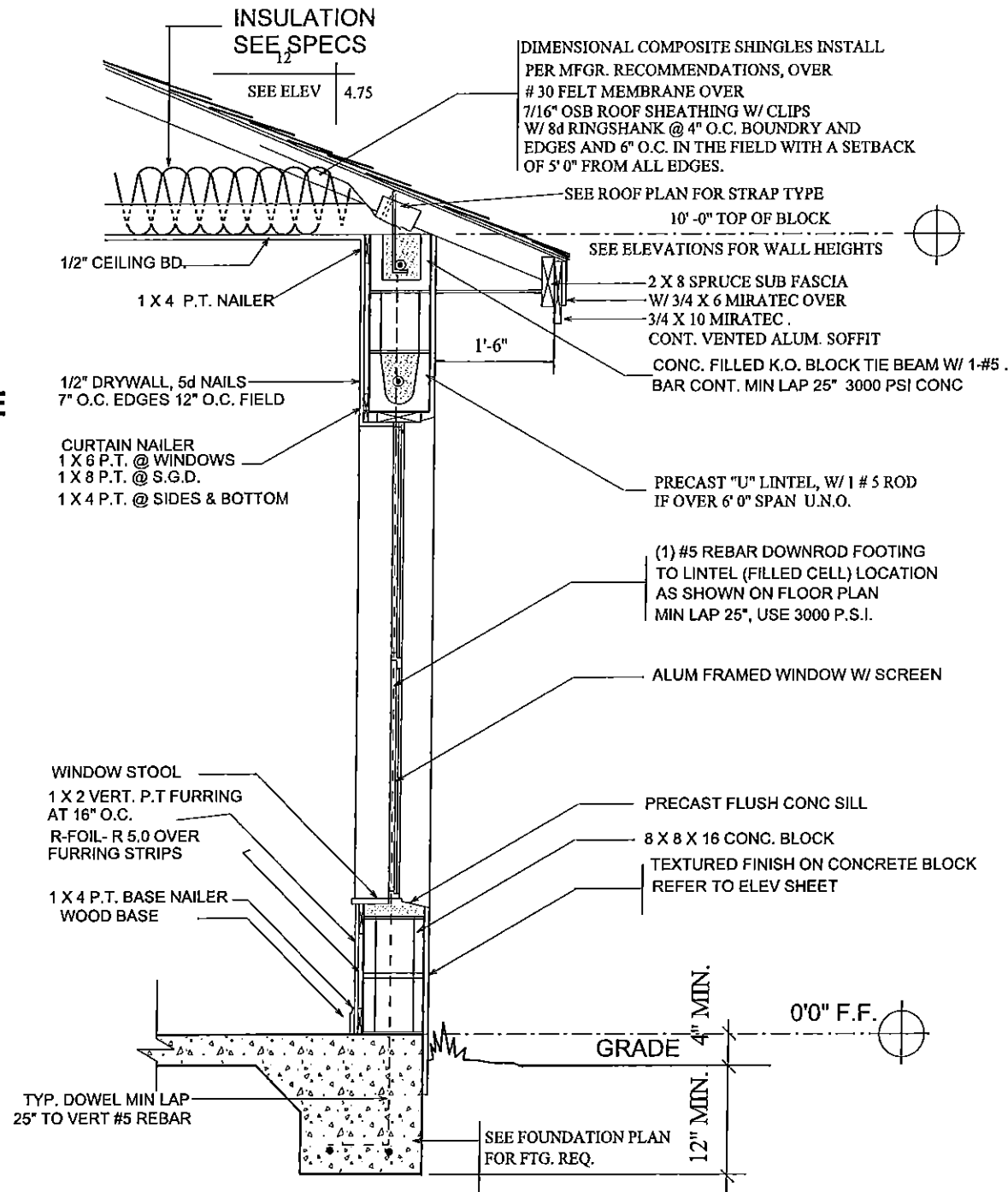
PLAN DATE
4-23-2016

DEEB FAMILY HOMES, LTD.
9400 RIVER CROSSING BLD.
NEW PORT RICHEY, FL. 34655
727-376-6831

9

CONNECTOR TABLE

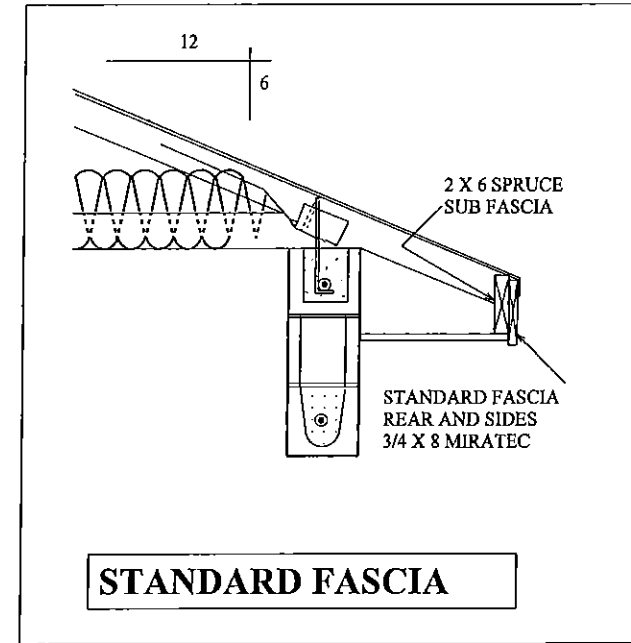
SIMPSON	FLORIDA PRODUCT NUMBERS PER INDEX 2-25-2011
MBHA3.56/11.88	10866.12
H2	10456.10
H6	10456.16
H10	10456.6
LGT2	11470.6
MGT	11470.7
LSTA18	10852.4
LSTA24	10852.4
SP1	10456.41
SP2	10456.42
HTS20	10456.23
HTS16	10456.22
META16	11473.17
L30	10446.11
MSTAM24	11473.19
MSTAM36	11473.19
MSTCM60	11473.19
CS16	10852.1
SPH4	10456.46
SPH6	10456.47
HTT4	11496.2
HTT5	11496.2
ABU66	10849.6



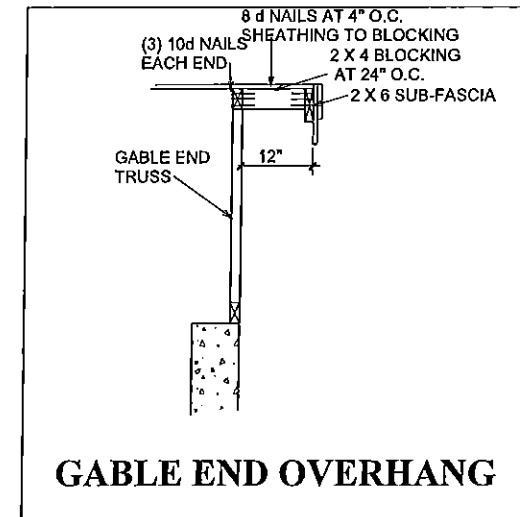
TYPICAL WALL SECTION

TERMITE SPECIFICATIONS:

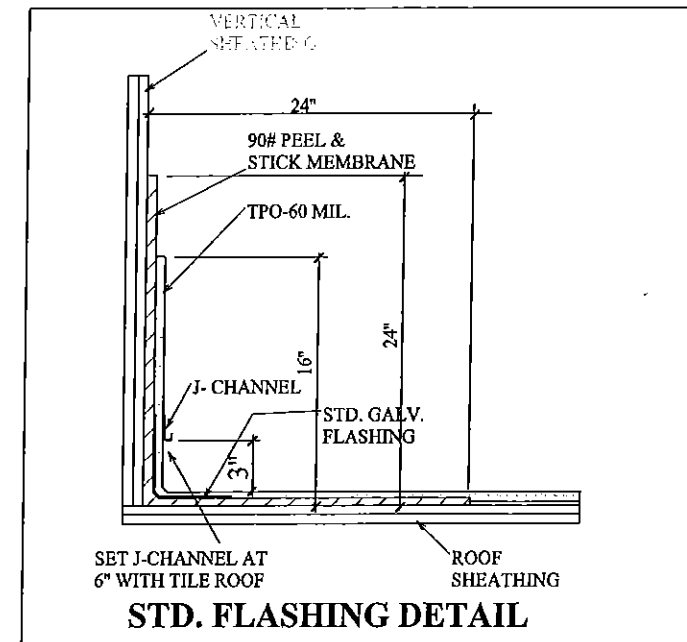
INSTALL "BORA-CARE" TERMITE PROTECTION SYSTEM PER MANUF. SPECIFICATIONS



STANDARD FASCIA



GABLE END OVERHANG



STD. FLASHING DETAIL

CONST. DETAILS

PLAN 3292
ALLEN ENGINEERING & CONSTRUCTION SERVICES
RICH ALLEN PROFESSIONAL ENGINEER
P.E. # 56920 C.A. # 9542
8809 SKYMASTER DR.
NEW PORT RICHEY, FL. 34654
727-842-6100
rallenpe@gmail.com

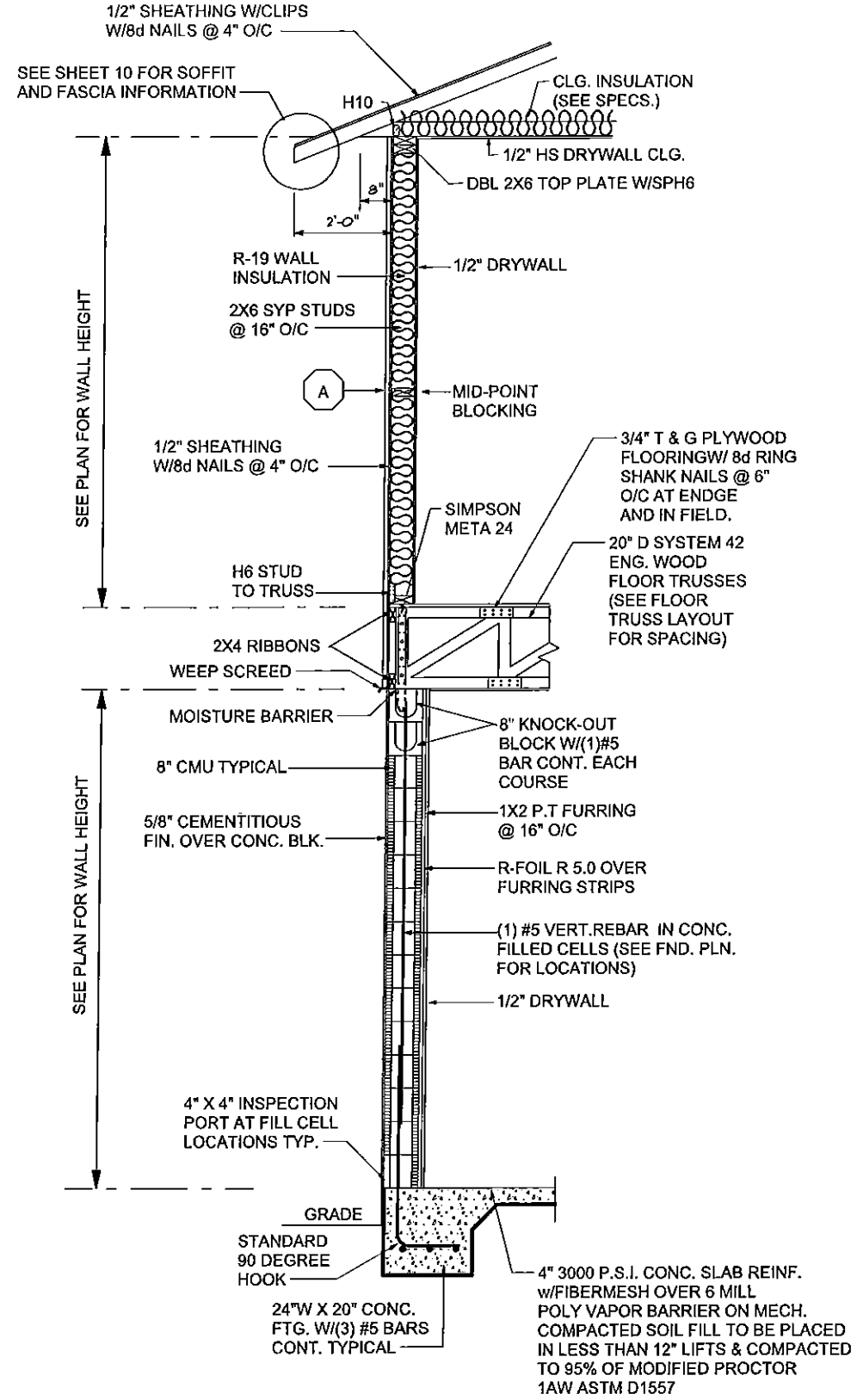
A.E.C.S. 16038
I HEREBY CERTIFY THAT I HAVE PERFORMED THE ATTACHED DESIGN TO COMPLY WITH THE FLORIDA WIND LOADS AND IT IS IN COMPLIANCE WITH SECT. 901 OF THE 2014 FLORIDA RESIDENTIAL BUILDING CODE SEALED FOR STRUCTURE ONLY
SIGNED: [Signature]
RICHARD E. ALLEN P.E. #56950

INVENTORY PROJECT
354 HAMILTON AVE.
SAFETY HARBOR, FL.

PLAN DATE
4-29-2016

DEEB FAMILY HOMES, LTD.
9400 RIVER CROSSING BLD.
NEW PORT RICHEY, FL. 34655
727-376-6831

10



A 7/8" STUCCO FINISH PER ASTM C-926-11a ON PAPER BACKED METAL LATH OVER TYVEK (OR EQUIVALENT) VINYL VAPOR BARRIER ON EXTERIOR WOOD SHEATHING.

1 TYP. 2-STORY WALL SECT.

CONSTRUCTION DETAILS

A.E.C.S. #16038 PLAN 3292

DEEB FAMILY HOMES, LTD.
9400 RIVER CROSSING BLD.
NEW PORT RICHEY, FL, 34655

PLAN DATE
1. 04-19-2016
2. 04-29-2016

LOT 17
SAFETY HARBOR
PRELIMINARY PLAN ADAPTED FROM PLAN 3345
1. PRELIMINARY PLAN
2. STRUCTURAL ENG.

I HEREBY CERTIFY THAT I HAVE EXAMINED THE ATTACHED DESIGN AND I AM A LICENSED PROFESSIONAL ENGINEER IN COMPLIANCE WITH CHAPTER 16 OF THE 2014 F.L.A.C. BUILDING CODE. I HAVE REVIEWED THE DRAWINGS AND I HAVE SEEN THE WORK IN CONNECTION WITH THIS PROJECT.
SIGNATURE: [Signature]
RICHARD E. NEASE, P.E. #56920

ALLEN ENGINEERING & CONSTRUCTION SERVICES
RICH ALLEN PROFESSIONAL ENGINEER
P.E. #56920 C.A. #9542
NEW PORT RICHEY, FL 34654
727-842-6100
richallenpe@gmail.com

10A