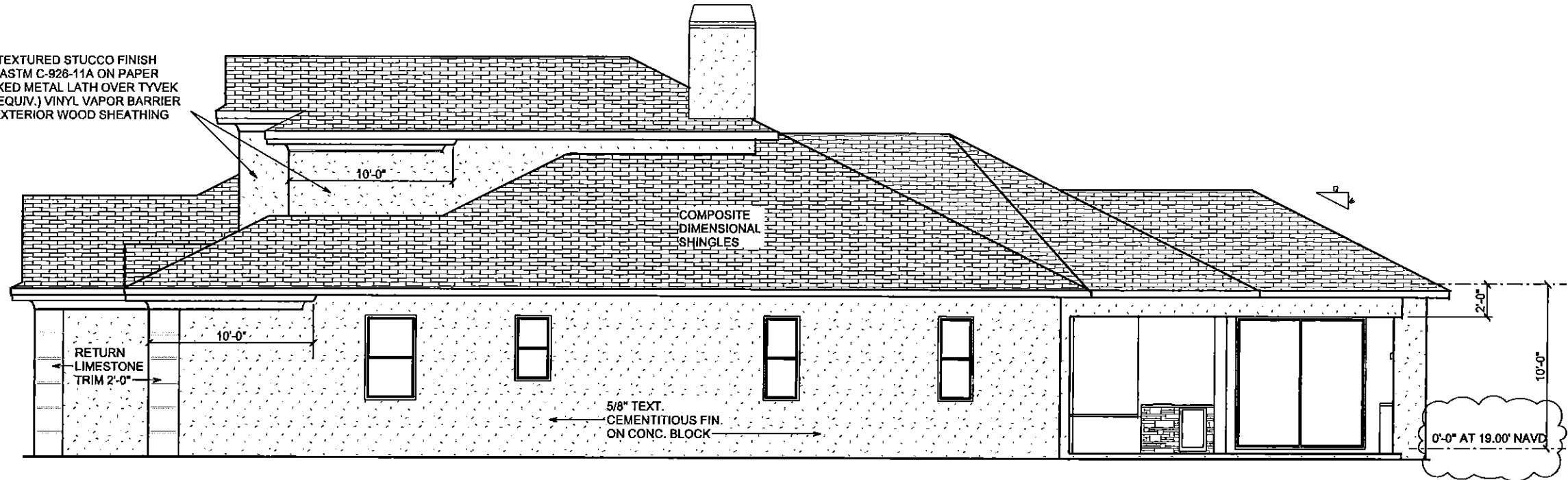
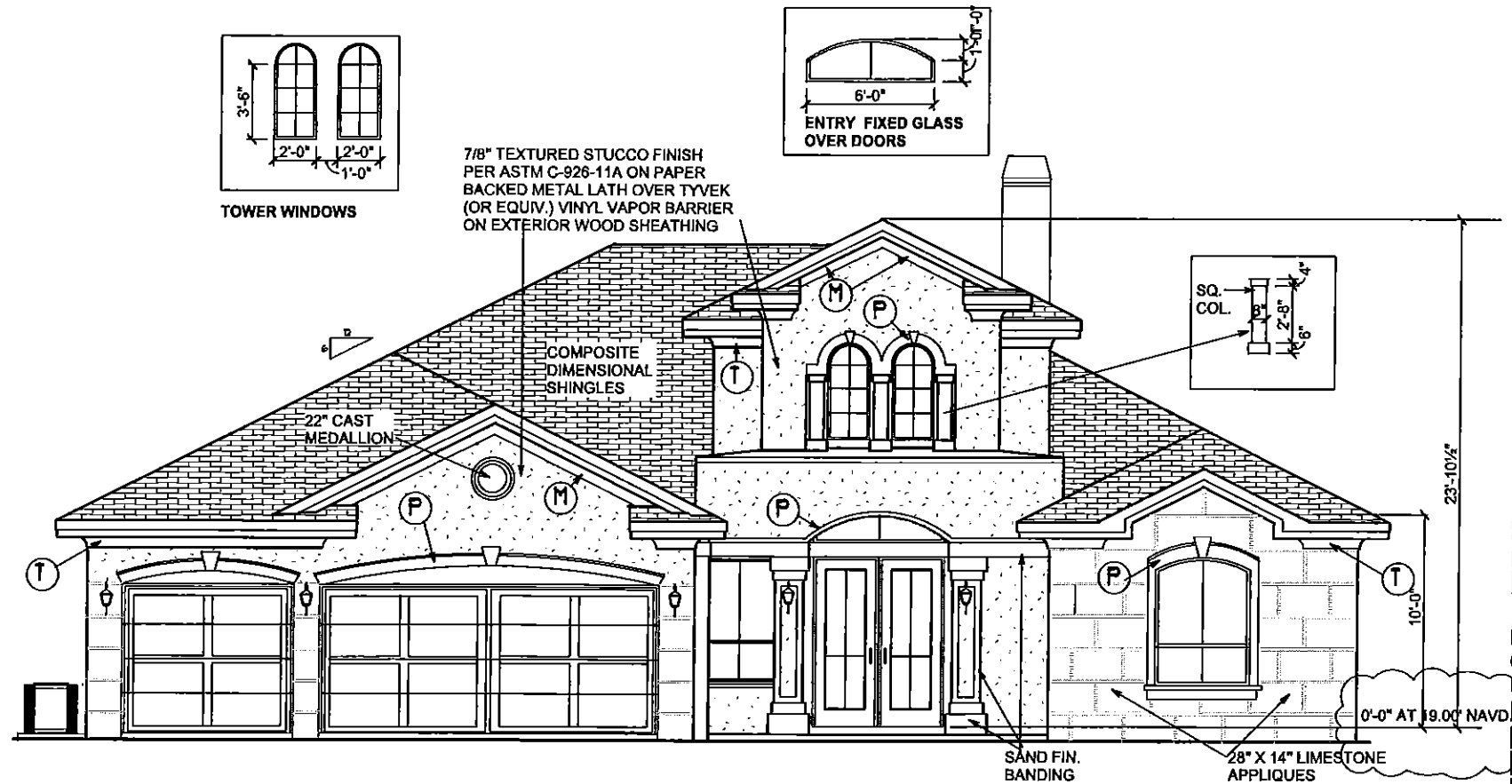
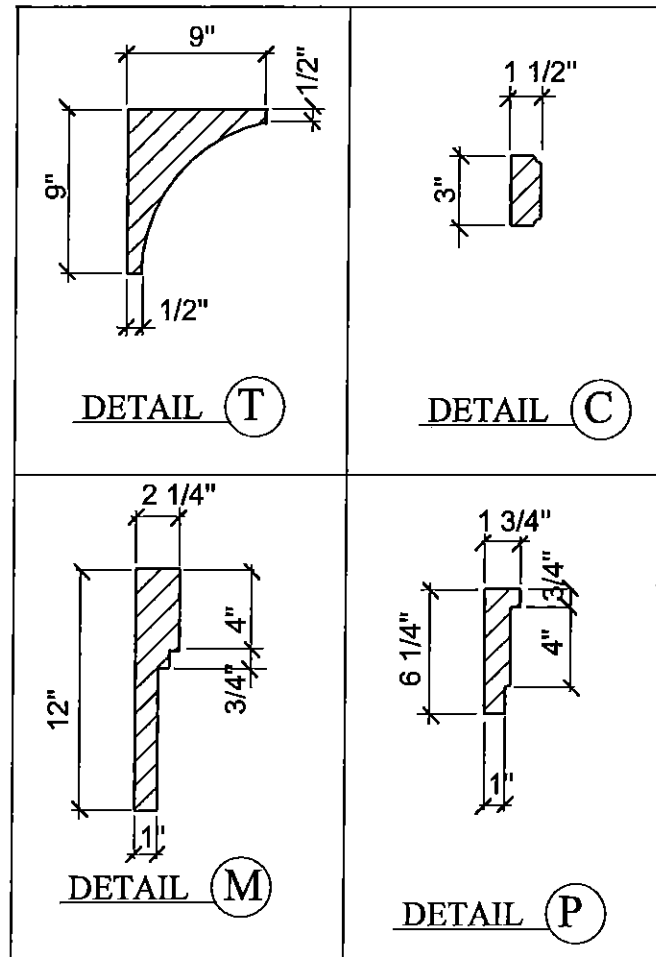


7/8" TEXTURED STUCCO FINISH
PER ASTM C-926-11A ON PAPER
BACKED METAL LATH OVER TYVEK
(OR EQUIV.) VINYL VAPOR BARRIER
ON EXTERIOR WOOD SHEATHING



RIGHT SIDE ELEVATION



FRONT ELEVATION

SCALE 1/8" = 1'-0"

EXTERIOR ELEVATIONS

WILLOW 3082

A.E.C.S. 16002

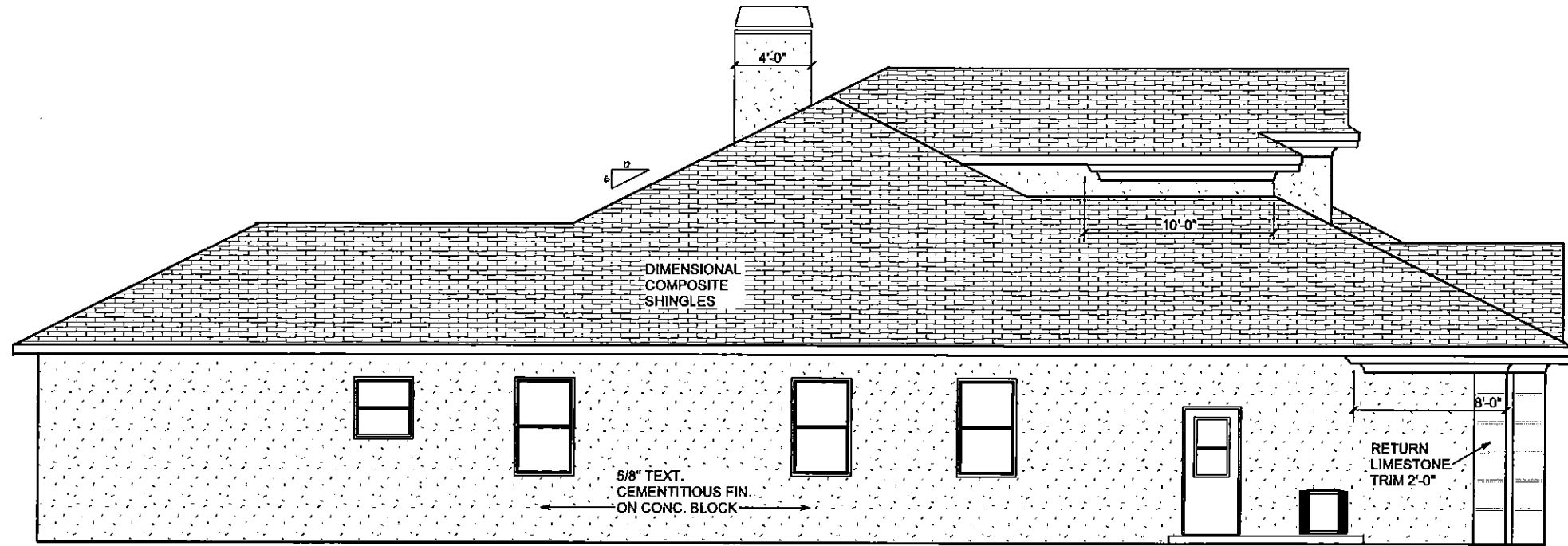
INVENTORY PROJECT
365 OLD EAST LAKE ROAD
PINELLAS COUNTY, FL.

PLAN DATE

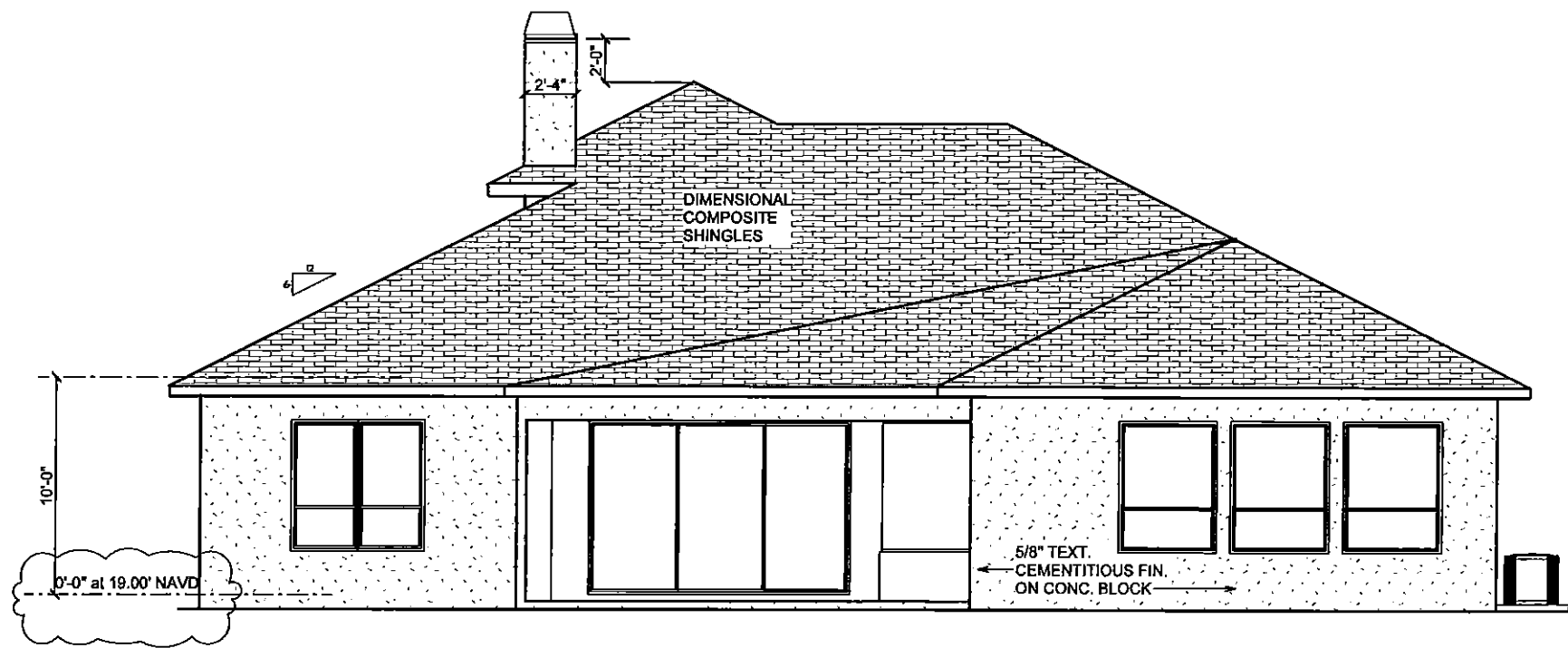
1-5-2016
1-11-2016
3-15-2016

DEEB FAMILY
HOMES, LTD.
9400 RIVER CROSSING BLD.
NEW PORT RICHEY, FL. 34655
727-376-6831

4



LEFT SIDE ELEVATION



REAR ELEVATION

EXTERIOR ELEVATIONS

SCALE 1/8" = 1'-0"

WILLOW 3082

A.E.C.S. 16002

DEEB FAMILY
HOMES, LTD.
9400 RIVER CROSSING BLD.
NEW FORT RICHEY, FL. 34655
727-376-6831

INVENTORY PROJECT
365 OLD EAST LAKE ROAD
PINELLAS COUNTY, FL.

PLAN DATE
1-5-2016
1-11-2016
3-15-2016